

4

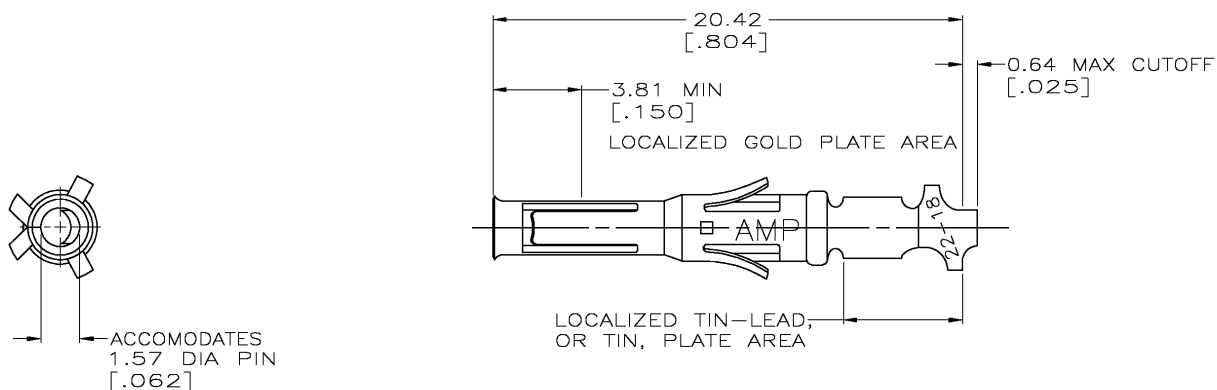
3

2

1

THIS DRAWING IS UNPUBLISHED. RELEASED FOR PUBLICATION  
 © COPYRIGHT BY TYCO ELECTRONICS CORPORATION. ALL RIGHTS RESERVED.

LOC	DIST	REVISIONS			
P	LTR	DESCRIPTION	DATE	DWN	APVD
G		063B-0317-03	24APR03	TK	GS



1. WIRE RANGE 18-22 AWG.
2. INSULATION RANGE 1.27-2.79 [.050-.110] DIA.
3. 0.76µm [.000030] MIN GOLD IN LOCALIZED GOLD PLATE AREA, 1.27µm [.000050] MIN TIN-LEAD IN LOCALIZED TIN-LEAD PLATE AREA, BOTH OVER 1.27µm [.000050] MIN NICKEL.
4. TIN PLATED.
5. GOLD PLATING PER MIL-G-45204, TIN PER MIL-T-10727 AND NICKEL PER QQ-N-290.
6. 0.76µm [.000030] MIN GOLD IN LOCALIZED GOLD PLATE AREA, 1.27µm [.000050] MIN TIN IN LOCALIZED TIN PLATE AREA, BOTH OVER 1.27µm [.000050] MIN NICKEL.

66582-7	6	66592-4
66582-4	3	66592-2
66582-2	4	66592-1
STRIP REF	FINISH	PART NO

THIS DRAWING IS A CONTROLLED DOCUMENT.		DWN	Tyco Electronics Corporation	
DIMENSIONS: INCHES		D. HARDY	Harrisburg, Pa	
TOLERANCES UNLESS OTHERWISE SPECIFIED:		06/15/94	CONTACT, SOCKET, LOOSE PIECE, TYPE VI, MULTIMATE	
0 PLC ± -		CHK R. STONE	NAME	
1 PLC ± -		06/22/94	SIZE CAGE CODE DRAWING NO	
2 PLC ± 0.13 [.005]		APVD G. STEINHAUER	A3 00779 C-66592	
3 PLC ± -		06/27/03	RESTRICTED TO	
4 PLC ± -		PRODUCT SPEC	-	
5 ANGLES ± -		APPLICATION SPEC	-	
MATERIAL BRS PER MIL-C-50		WEIGHT	-	
FINISH 5 SEE TABLE		CUSTOMER DRAWING	SCALE 6:1	SHEET 1 OF 1 REV G

AMP 1470-19 REV 31MAR2000

J:\modsvcs\Tina\_EC\_dwgs\