

4

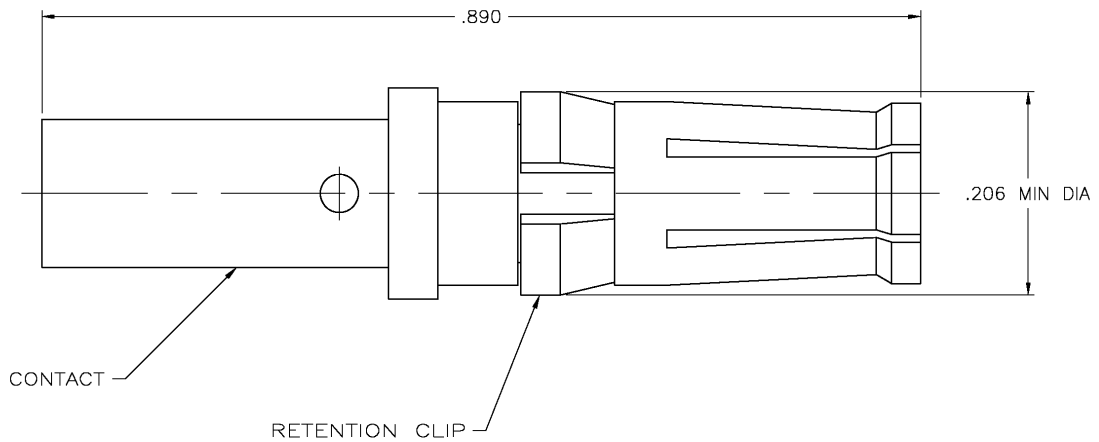
3

2

1

THIS DRAWING IS UNPUBLISHED. RELEASED FOR PUBLICATION
 © COPYRIGHT - BY TYCO ELECTRONICS CORPORATION. ALL RIGHTS RESERVED.

LOC	DIST	REVISIONS			
P	LTR	DESCRIPTION	DATE	DWN	APVD
B		REVISED PER OG3B-0008-04	1/12/04	SS	GS



213910-1

PART NUMBER

- ⚠ CONTACT: BERYLLIUM COPPER.
RETENTION CLIP: PHOSPHOR BRONZE.
- ⚠ CONTACT: 0.76μm [.000030] MIN GOLD OVER
1.27μm [.000050] MIN NICKEL.
RETENTION CLIP: 2.54μm [.000100] MIN NICKEL.
- 3. WIRE BARREL WILL ACCEPT 12-14 AWG WIRE.

THIS DRAWING IS A CONTROLLED DOCUMENT.		DWN D.HARDY 20 OCT 95	Tyco Electronics Corporation Harrisburg, PA 17105													
DIMENSIONS: INCHES		CHK W.G.LENKER 20 OCT 95														
TOLERANCES UNLESS OTHERWISE SPECIFIED:		APVD M.McALONIS 23 OCT 95	NAME CONTACT ASSEMBLY, SOCKET, POWER VIII, METRIMATE													
<table border="1"> <tr><td>0 PLC</td><td>± -</td></tr> <tr><td>1 PLC</td><td>± -</td></tr> <tr><td>2 PLC</td><td>± -</td></tr> <tr><td>3 PLC</td><td>± .005</td></tr> <tr><td>4 PLC</td><td>± -</td></tr> <tr><td>ANGLES</td><td>± -</td></tr> </table>		0 PLC	± -	1 PLC	± -	2 PLC	± -	3 PLC	± .005	4 PLC	± -	ANGLES	± -	PRODUCT SPEC 108-1317	RESTRICTED TO	
0 PLC	± -															
1 PLC	± -															
2 PLC	± -															
3 PLC	± .005															
4 PLC	± -															
ANGLES	± -															
MATERIAL - ⚠		APPLICATION SPEC 114-10014	SIZE A3	CAGE CODE 00779	DRAWING NO C-213910											
FINISH - ⚠		WEIGHT -	CUSTOMER DRAWING													
			SCALE 10:1	SHEET 1 OF 1	REV B											