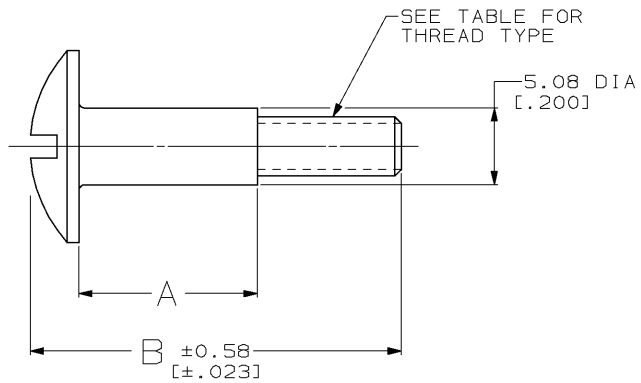
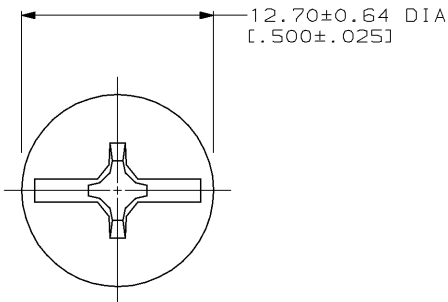


DRAWING MADE IN THIRD ANGLE PROJECTION

THIS DRAWING IS UNPUBLISHED. RELEASED FOR PUBLICATION, 19 .
 © COPYRIGHT 19 BY AMP INCORPORATED. ALL INTERNATIONAL RIGHTS RESERVED.

LOC	DIST	P	F	ZONE	LTR	DESCRIPTION	DATE	APPD
FT	13				L	OBSOLETE -2	08 JAN 97	MM
					M	REV PER EC 0020-596-96		
						REV PER EC 0320-0364-97	27 APR 98	MM



34.29 [1.350]	21.69 [0.854]	SAE 6/32	208211-6
24.54 [0.966]	11.81 [0.465]	SAE 6/32	208211-4
34.29 [1.350]	21.69 [0.854]	M4 x 0.7-6g	208211-3
OBSOLETE 34.29 [1.350]	21.69 [0.854]	SELF TAPPING	208211-2
24.54 [0.966]	11.81 [0.465]	M4 x 0.7-6g	208211-1

B	A	THREAD	PART NO
DO NOT SCALE PRINT. UNLESS SPECIFIED DIMENSIONS IN mm (INCHES) TOLERANCES ON: 2 PLC DEC ± 0.13 (.005) 3 PLC DEC ± - ANGLES ± -		DR 02/24/92 L.SIPE	AMP Incorporated Harrisburg, PA 17105-3608
MATERIAL STAINLESS STEEL	CHK 3-1-92 J. McCLINTON	NAME	SCREW, SHOULDER, SPECIAL, METRIMATE
FINISH -	APPD 3-1-92 A. TRAVIS	SIZE	00779
	PRODUCT SPEC	CAGE CODE	208211
	APPLICATION SPEC	DRAWING NO	1 OF 1
	WEIGHT -	SCALE	4:1

AMP 1470-15 REV 11-89
 27-APR-98 16:17:37 amp02202 /home/ssrv026d/dsk01/dept4223/amp02202/edmod

CUSTOMER DRAWING