

4

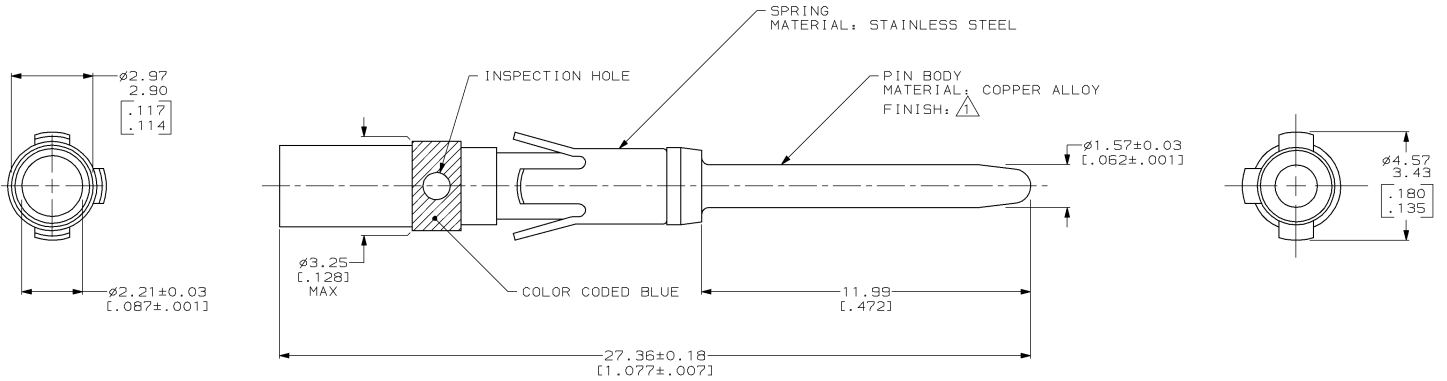
3

2

1

THIS DRAWING IS UNPUBLISHED. RELEASED FOR PUBLICATION
 BY AMP INCORPORATED. ALL RIGHTS RESERVED.

LOC	DIST	REVISIONS			
F	LWR	DESCRIPTION	DATE	OWN	APPD
FT	8				
F		REDRAWN W/O CHANGE PER EC 0320-109-96	01 DEC 97	-	-



202725-1

PART NUMBER

THIS DRAWING IS A CONTROLLED DOCUMENT.		DRN: S. CARBO 01 DEC 97	AMP AMP Incorporated Harrisburg, PA 17105-3608
		CHK: R. STONE 10 DEC 97	
DIMENSIONS: mm (INCHES)		APPRO: R. STONE 08 JAN 98	NAME: S. STEINHAUER
TOLERANCES UNLESS SPECIFIED:		PRODUCT SPEC: -	
ϕ 3.25	0.013	APPLICATION SPEC: -	SIZE: CASE CODE DRAWING NO: A200779
0.013	0.0005	WEIGHT: -	
0.013	0.0005	FINISH: -	RESTRICTED TO: -
0.013	0.0005	ANGLE: -	SCALE: 10:1
0.013	0.0005	ANGLE: -	SHEET: 1 OF 1
0.013	0.0005	ANGLE: -	REV: F
0.013	0.0005	ANGLE: -	CUSTOMER DRAWING

AMP 1471-S REV 11 JUN 97
 14.50.13 amp40573 /home/ssp-v036/49404/sep4/022/amp40573/4.dmsmod

202725

B

A