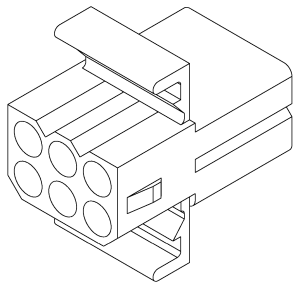
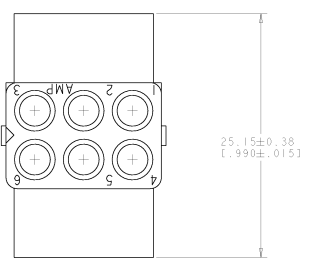
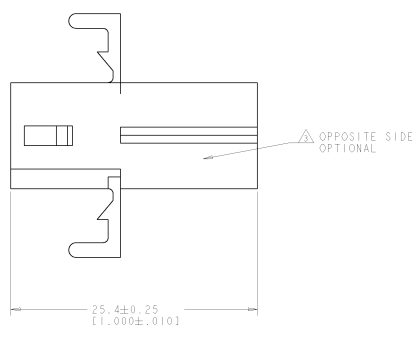
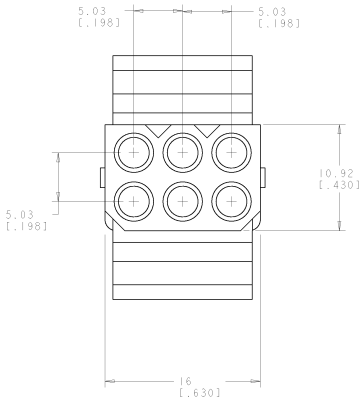
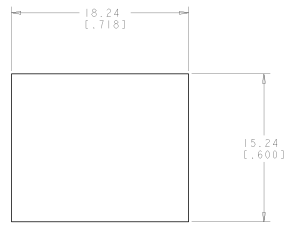


△ MATERIAL: NYLON UL94V-2 (NATURAL).
 2. RECOMMENDED PANEL THICKNESS 2.29 [.090] MAX.
 △ MARKING FOR UL LOGO AND CSA LOGO LOCATED APPROXIMATELY AS SHOWN.



3 DIMENSIONAL VIEW



RECOMMENDED PANEL CUTOUT



770087-1 PART NUMBER	
770087-1 PART NUMBER	
DATE: 12/12/2002 BY: J. COLE CHECKED: J. COLE APPROVED: J. COLE	DATE: 12/12/2002 BY: J. COLE CHECKED: J. COLE APPROVED: J. COLE
TITLE: RECEPTACLE COMMERCIAL PIN AND SOCKET	DATE: 12/12/2002 BY: J. COLE CHECKED: J. COLE APPROVED: J. COLE
MATERIAL: NYLON FINISH:	DATE: 12/12/2002 BY: J. COLE CHECKED: J. COLE APPROVED: J. COLE