

4

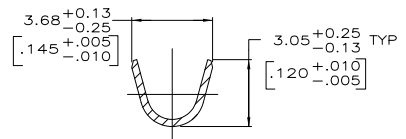
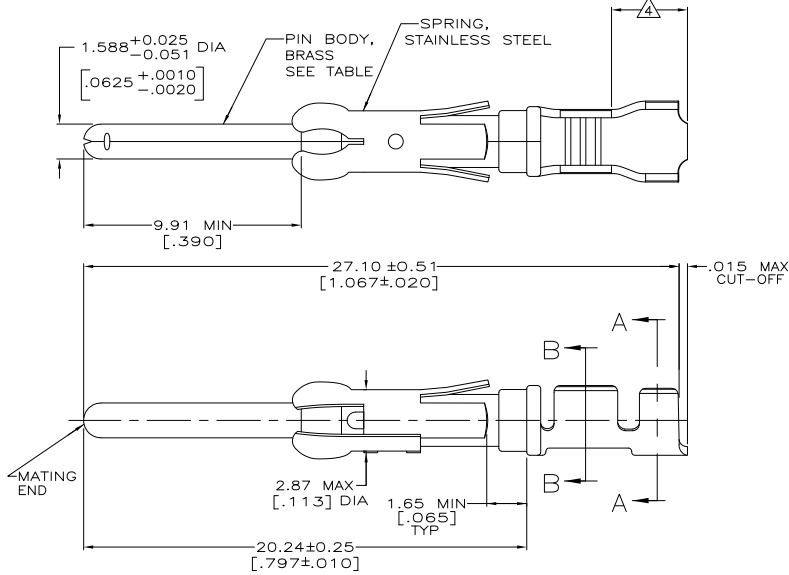
3

2

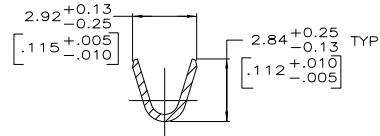
1

THIS DRAWING IS UNPUBLISHED. RELEASED FOR PUBLICATION. ALL RIGHTS RESERVED.

LOC	DIST	REVISIONS				
FT	47	P	LTR	DATE	MIN	APD
		E2	REVISED PER ECO-11-010839	26MAY11	RK	HMR



SECTION A-A



SECTION B-B

- ⚠ $0.76\mu\text{m}$ [$.000030$] MIN PRECIOUS METAL PLATE ON MATING END FOR A LENGTH OF 5.08 [$.200$] MIN OVER $1.27\mu\text{m}$ [$.000050$] MIN NICKEL PLATE. GOLD FLASH ALL OVER. CONFORMS TO THE REQUIREMENTS OF TE CONNECTIVITY PRODUCT SPEC 108-10042, BASED ON EIA/ECA-364-1000.01A (CONTROLLED ENVIRONMENT APPLICATIONS).
- ⚠ $0.76\mu\text{m}$ [$.000030$] MIN PRECIOUS METAL PLATE ON MATING END FOR A LENGTH OF 5.08 [$.200$] MIN WITH A UNIFORM GRADIENT TO $0.25\mu\text{m}$ [$.000010$] ON REMAINDER, OVER $1.27\mu\text{m}$ [$.000050$] MIN NICKEL PLATE. GOLD FLASH ALL OVER. CONFORMS TO THE REQUIREMENTS OF TE CONNECTIVITY PRODUCT SPEC 108-10042, BASED ON EIA/ECA-364-1000.01A (CONTROLLED ENVIRONMENT APPLICATIONS).
- ⚠ $0.38\mu\text{m}$ [$.000015$] MIN GOLD PER MIL-G-45204 ON MATING END FOR A LENGTH OF 5.08 [$.200$] MIN WITH GOLD FLASH ON THE REMAINDER OVER $1.27\mu\text{m}$ [$.000050$] MIN NICKEL PER QQ-N-290.
- ⚠ GOLD PLATING NOT REQUIRED IN THIS AREA.
- ⚠ $1.27\mu\text{m}$ [$.000050$] MIN TIN-LEAD PER MIL-T-10727 OVER $1.27\mu\text{m}$ [$.000050$] MIN NICKEL PER QQ-N-290.
- 6. WIRE RANGE 18-16 AWG.
- 7. INSULATION RANGE 2.03 [$.080$]- 2.54 [$.100$] DIA.
- ⚠ $0.38\mu\text{m}$ [$.000015$] MIN GOLD PER MIL-G-45204 ON MATING END FOR A LENGTH OF 5.08 [$.200$] MIN, $1.27\mu\text{m}$ [$.000050$] MIN TIN-LEAD PER MIL-T-10727 ON OPPOSITE END FOR A LENGTH OF 5.69 [$.224$] MIN, BOTH OVER $1.27\mu\text{m}$ [$.000050$] MIN NICKEL PER QQ-N-290.
- ⚠ $1.27\mu\text{m}$ [$.000050$] MIN TIN PER MIL-T-10727 OVER $1.27\mu\text{m}$ [$.000050$] MIN NICKEL PER QQ-N-290.

SMALL PACK	⚠	1-66098-8	1-66099-6		
STANDARD	⚠	1-66098-8	1-66099-5		
SMALL PACK	⚠	66098-4	1-66099-4		
SMALL PACK	⚠	66098-3	1-66099-3		
SMALL PACK	⚠	66098-2	1-66099-2		
SMALL PACK	⚠	66098-1	1-66099-1		
OBSOLETE	⚠	STANDARD	1-66098-6	1-66099-0	
	⚠	STANDARD	66098-4	66099-4	
	⚠	STANDARD	66098-3	66099-3	
	⚠	STANDARD	66098-2	66099-2	
	⚠	STANDARD	66098-1	66099-1	
	⚠	PACKAGING TYPE	CONTACT FINISH	STRIP P/N	PART NO

THIS DRAWING IS A CONTROLLED DOCUMENT. DATE: 03/29/92

DESIGNER: L. SHIP

DR: W. LENKER

APP: G. STEINHAUER

DATE: 6-11-92

NAME: G. STEINHAUER

DATE: 7-7-92

PRODUCT SPEC: PIN ASSEMBLY, LOOSE PIECE, TYPE III+

APPLICATION SPEC: --

SIZE: A2

DATE CODE: 00779

DRAWING NO: 66099

RESTRICTED TO: --

MATERIAL: SEE CALLOUTS

FINISH: SEE CALLOUTS

CUSTOMER DRAWING

SCALE: 8:1

SHEET: 1 of 1

REV: E2