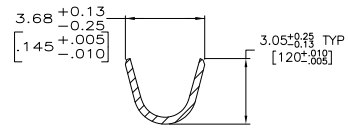
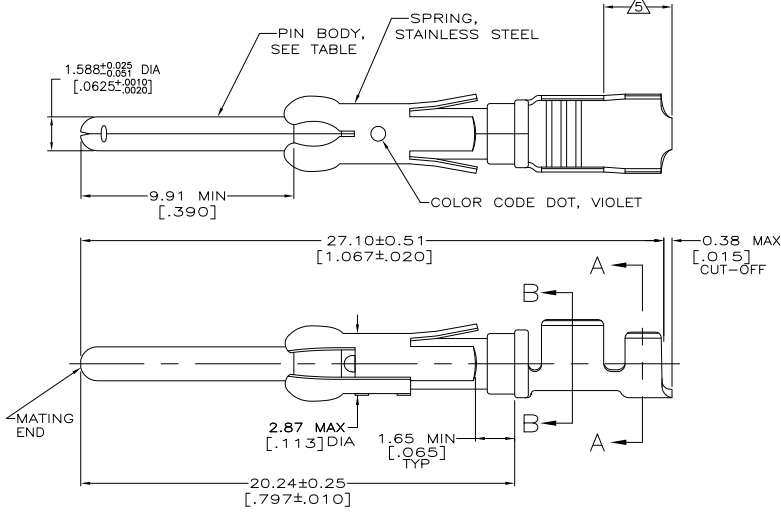
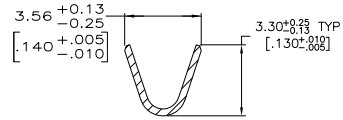


THE DRAWING IS UNPUBLISHED.
 © COPYRIGHT - BY -
 RELEASED FOR PUBLICATION
 ALL RIGHTS RESERVED.

LOC	DET	REVISIONS				
FT	0	TR	DESCRIPTION	DATE	BY	APPD
J1		REVISED PER	ECO-11-004587	11MAR11	RK	HMR



SECTION A-A



SECTION B-B

- △ 0.76µm [.000030] MIN PRECIOUS METAL PLATE ON MATING END FOR A LENGTH OF 5.08 [.200] MIN OVER 1.27µm [.000050] MIN NICKEL PLATE. GOLD FLASH ALL OVER. CONFORMS TO THE REQUIREMENTS OF TE CONNECTIVITY PRODUCT SPEC 108-10042, BASED ON EIA/ECA-364-1000.01A (CONTROLLED ENVIRONMENT APPLICATIONS).
- △ 0.76µm [.000030] MIN PRECIOUS METAL PLATE ON MATING END FOR A LENGTH OF 5.08 [.200] MIN WITH A UNIFORM GRADIENT TO 0.25µm [.000010] ON REMAINDER, OVER 1.27µm [.000050] MIN NICKEL PLATE. GOLD FLASH ALL OVER. CONFORMS TO THE REQUIREMENTS OF TE CONNECTIVITY PRODUCT SPEC 108-10042, BASED ON EIA/ECA-364-1000.01A (CONTROLLED ENVIRONMENT APPLICATIONS).
- △ 0.38µm [.000015] MIN GOLD PER MIL-G-45204 ON MATING END FOR A LENGTH OF 5.08 [.200] MIN WITH GOLD FLASH ON THE REMAINDER OVER 1.27µm [.000050] MIN NICKEL PER QQ-N-290.
- △ 1.27µm [.000050] MIN TIN-LEAD PER MIL-T-10727 OVER 1.27µm [.000050] MIN NICKEL PER QQ-N-290.
- △ GOLD PLATING NOT REQUIRED IN THIS AREA.
- 6 WIRE RANGE 18-14 AWG.
- 7 INSULATION RANGE 2.03[.080]-2.54[.100] DIA.
- △ 0.38µm [.000015] MIN GOLD PER MIL-G-45204 ON MATING END FOR A LENGTH OF 5.08 [.200] MIN, 1.27µm [.000050] MIN TIN-LEAD PER MIL-T-10727 FOR A LENGTH OF 5.69 [.224] MIN ON OPPOSITE END, BOTH OVER 1.27µm [.000050] MIN NICKEL PER QQ-N-290 ON ENTIRE CONTACT.
- △ 1.27µm [.000050] MIN TIN PER MIL-T-10727 OVER 1.27µm [.000050] MIN NICKEL PER QQ-N-290.

STANDARD	△	CU-NI ALLOY	1-66359-9	1-66361-6
STANDARD	△	CU-NI ALLOY	1-66359-7	1-66361-5
STANDARD	△	CU-NI ALLOY	1-66359-6	1-66361-4
SMALL PACK	△	BRASS	1-66359-4	1-66361-3
STANDARD	△	BRASS	1-66359-4	1-66361-2
SMALL PACK	△	BRASS	66359-4	1-66361-1
SMALL PACK	△	BRASS	66359-2	1-66361-0
OBSOLETE	△	BRASS	1-66359-3	66361-9
OBSOLETE	△	PHOSPHOR BRONZE	1-66359-2	66361-8
OBSOLETE	△	PHOSPHOR BRONZE	1-66359-1	66361-7
STANDARD	△	BRASS	66359-4	66361-4
STANDARD	△	BRASS	66359-3	66361-3
STANDARD	△	BRASS	66359-2	66361-2
STANDARD	△	BRASS	66359-1	66361-1
PACKAGING	△	BODY MATERIAL	STRIP P/N REF	PART NUMBER

THIS DRAWING IS A CONTROLLED DOCUMENT. ON L.SIDE 06/03/92
 W.LENKER 6-11-92
 G.STEINHAUER 7-8-92

TE Connectivity
 PIN ASSEMBLY,
 LOOSE PIECE, TYPE III+

SIZE: A2 CASE CODE: 00779 DRAWING NO: 66361 RESTRICTED TO: -

MATERIAL: SEE CALLOUTS FINISH: SEE TABLE WEIGHT: - CUSTOMER DRAWING SCALE: 8:1 SHEET: 1 of 1 REV: J1