

4

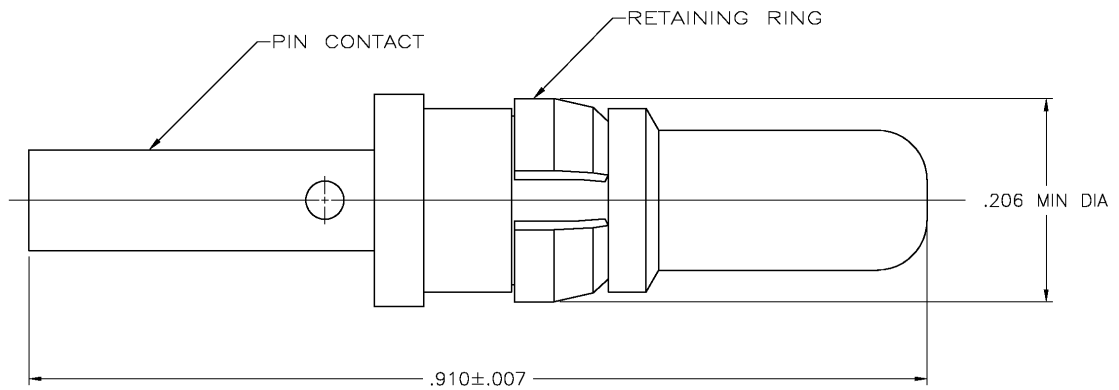
3

2

1

THIS DRAWING IS UNPUBLISHED. RELEASED FOR PUBLICATION  
 © COPYRIGHT - BY TYCO ELECTRONICS CORPORATION. ALL RIGHTS RESERVED.

LOC	DIST	REVISIONS			
P	LTR	DESCRIPTION	DATE	DWN	APVD
D		REVISED PER OG3B-0008-04	1/9/04	SS	GS



213567-1  
 PART NUMBER

- 1. WIRE BARREL WILL ACCEPT 16-18 AWG WIRE.
- 2. PIN CONTACT: BRASS.
- 3. RING RETAINING: PHOSPHOR BRONZE.
- 4. 0.76 μm [.000030] MIN GOLD OVER
- 1.27 μm [.000050] MIN NICKEL.
- 4. 1.27 μm [.000050] MIN NICKEL.

THIS DRAWING IS A CONTROLLED DOCUMENT.		DWN C DORWART 09/06/91	Tyco Electronics Corporation Harrisburg, PA 17105	
DIMENSIONS: INCHES		CHK R STONE 9/10/91	APVD A TRAVIS 9/11/91	
TOLERANCES UNLESS OTHERWISE SPECIFIED:		PRODUCT SPEC 9/11/91	NAME W PARKER	
0 PLC ± -		APPLICATION SPEC	SIZE A3	
1 PLC ± -		WEIGHT	CAGE CODE 00779	DRAWING NO 213567
2 PLC ± -		RESTRICTED TO		
3 PLC ± .005		-		
4 PLC ± -		-		
ANGLES ± -		-		
MATERIAL	FINISH	CUSTOMER DRAWING		
-	PIN CONTACT: 3 RING RETAINING: 4	SCALE 10:1	SHEET 1 OF 1	REV D