

4

3

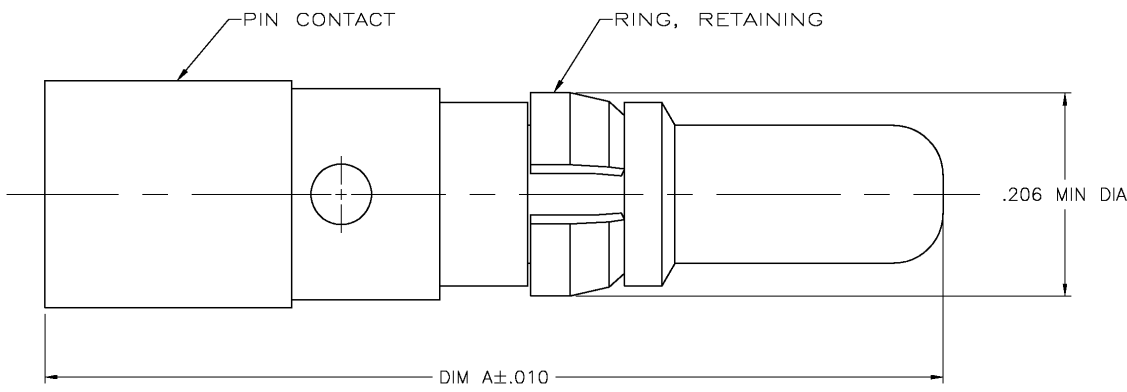
2

1

THIS DRAWING IS UNPUBLISHED. RELEASED FOR PUBLICATION
 © COPYRIGHT - BY TYCO ELECTRONICS CORPORATION. ALL RIGHTS RESERVED.

LOC	DIST	REVISIONS			
P	LTR	DESCRIPTION	DATE	DWN	APVD
	G	REVISED PER OG3B-0280-05	3/10/05	SS	GS

- 1. WIRE BARREL WILL ACCEPT 8 AWG WIRE.
- 2. PLATED WITH .000200 MINIMUM SILVER OVER .000050 MINIMUM NICKEL.
- 3. PLATED WITH .000030 MINIMUM GOLD OVER .000050 MINIMUM NICKEL.
- 4. RETAINING RING: PHOSPHOR BRONZE
PIN CONTACT: BRASS
- 5. PLATED WITH .000100 MINIMUM NICKEL.



	.950	3	213552-3
	.910	3	213552-2
OBSOLETE	-	3	213552-1
	DIM A	CONTACT FINISH	PART NO.

THIS DRAWING IS A CONTROLLED DOCUMENT.		DWN J LIPPERT 12-19-88	Tyco Electronics Corporation Harrisburg, Pa 17105-3608	
DIMENSIONS: INCHES		CHK J McCLINTON 12-19-88	APVD -	
TOLERANCES UNLESS OTHERWISE SPECIFIED:		NAME		
0 PLC	± -	PRODUCT SPEC		
1 PLC	± -	APPLICATION SPEC		
2 PLC	± -	-		
3 PLC	± .005	-		
4 PLC	± -	-		
ANGLES	± -	-		
MATERIAL	FINISH	WEIGHT	SIZE	CAGE CODE
-	PIN CONTACT: SEE TABLE RETAINING RING: 3	-	A3	00779
		DRAWING NO		RESTRICTED TO
		C-213552		-
		CUSTOMER DRAWING		SCALE 10:1 SHEET 1 OF 1 REV G