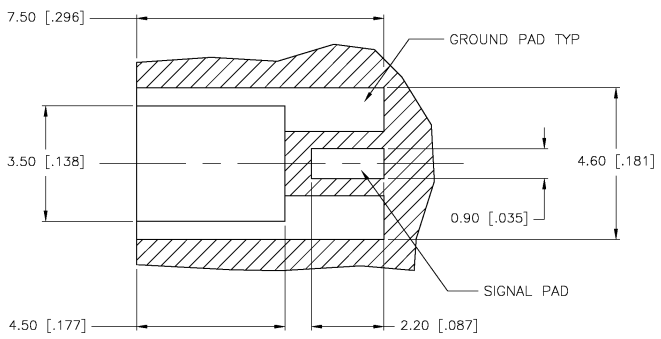
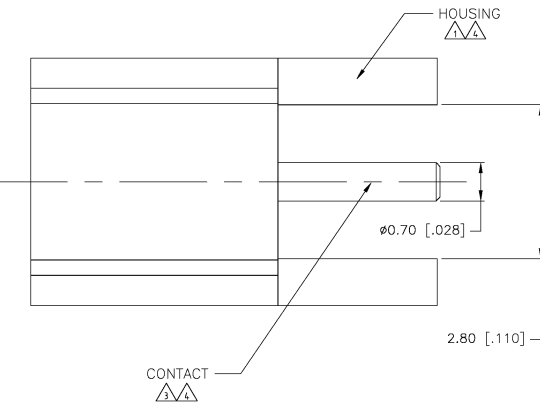
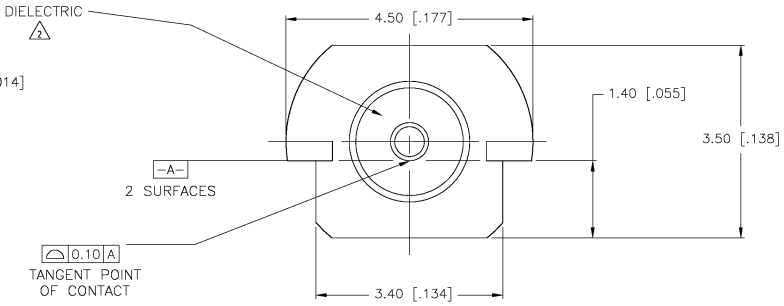
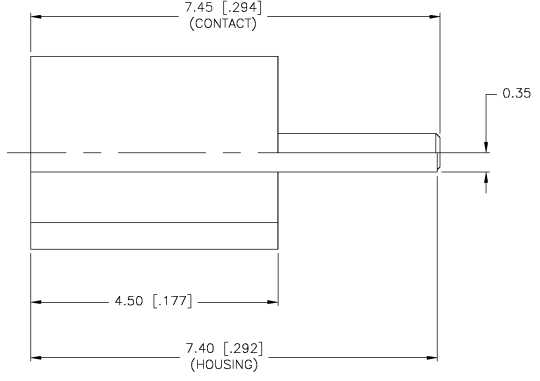


THIS DRAWING IS UNPUBLISHED. RELEASED FOR PUBLICATION
 © COPYRIGHT BY TYCO ELECTRONICS CORPORATION. ALL RIGHTS RESERVED.

LOC		DIST		REVISIONS			
P	LTR	DESCRIPTION	DATE	OWN	APP'D		
E		REV PER 0514-0397-03	11SEP03	KW	KW		



SOLDER PAD CONFIGURATION ONLY (SCALE 12:1)

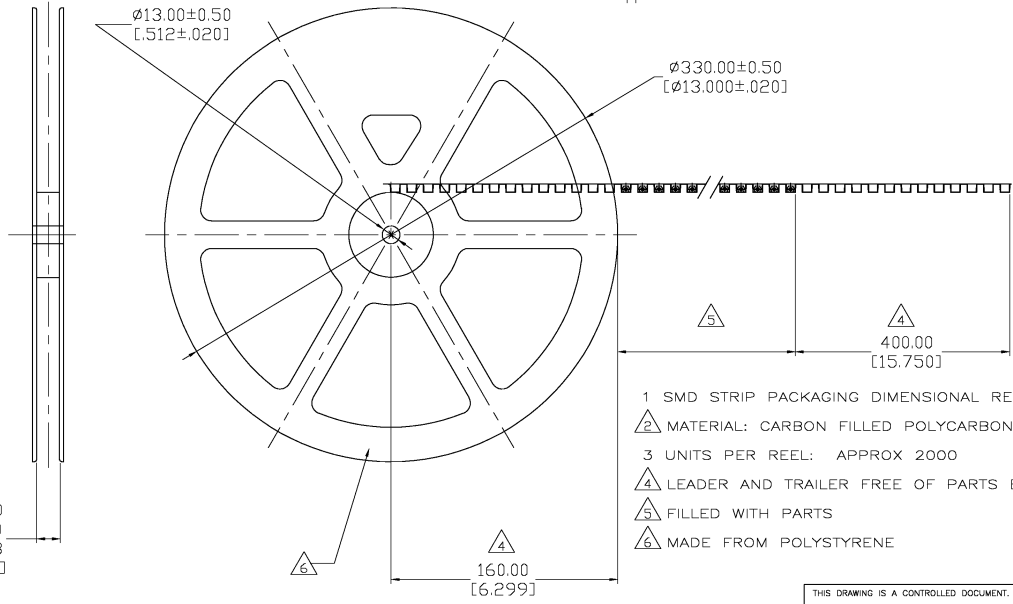
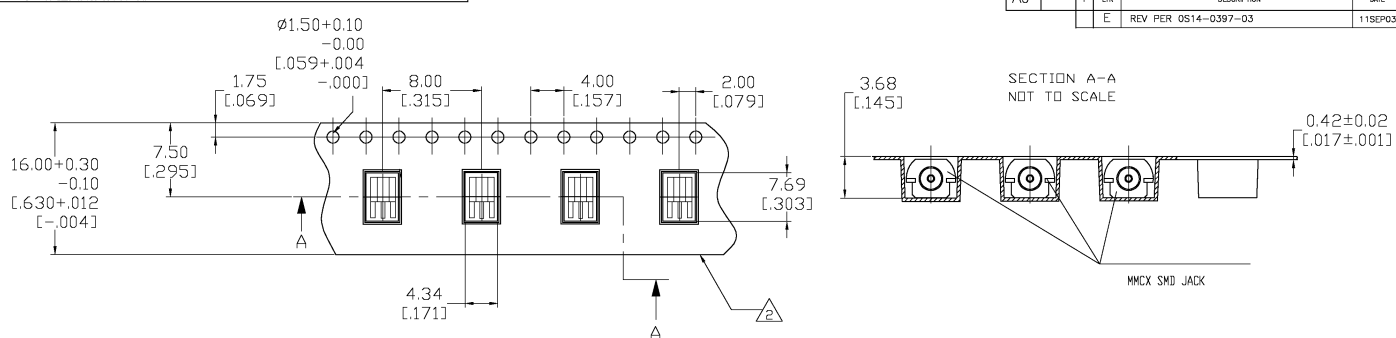
- △ BRASS PER ASTM-B-16
- △ PTFE PER ASTM-D-1710
- △ BERYLLIUM COPPER PER ASTM-B-196
- △ GOLD PLATE PER MIL-C-45204

ON REEL (SEE SHEET 2)	1408152-2
STANDARD	1408152-1
PACKAGING	PART NUMBER

THIS DRAWING IS A CONTROLLED DOCUMENT.		DRW: 29NOV2001	Tyco Electronics Corporation Middletown, PA 17057
DIMENSIONS: MM		CHK: 29NOV01	
0 P.L.C. ± — 1 P.L.C. ± — 2 P.L.C. ± 0.15 (009) 3 P.L.C. ± — 4 P.L.C. ± —		APP: 29NOV01	NAME: MMCX JACK, SMT EDGE LAUNCH PRODUCT SPEC: 108-2084 APPLICATION SPEC:
MATERIAL: —	FINISH: —	WEIGHT: 0.20g/007oz	SEE CASE CODE DRAWING NO: A2 00779 ©=1408152 RESTRICTED TO: — CUSTOMER DRAWING SCALE: 20:1 SHEET 1 OF 2 REV E

4 3 2 1

THIS DRAWING IS UNPUBLISHED.		RELEASED FOR PUBLICATION	
COPYRIGHT BY TYCO ELECTRONICS CORPORATION. ALL RIGHTS RESERVED.			
LOC	DIST	REVISIONS	
AJ	-	P LTR	DESCRIPTION
		E	REV PER 0514-0397-03
		DATE	11SEP03
		OWN	KW
		APVD	KW



- 1 SMD STRIP PACKAGING DIMENSIONAL REQUIREMENTS PER EIA 481-1, -2 AND -3
- 2 MATERIAL: CARBON FILLED POLYCARBONATE, ELECTROSTATIC PROTECTIVE
- 3 UNITS PER REEL: APPROX 2000
- 4 LEADER AND TRAILER FREE OF PARTS BUT SEALED WITH COVER TAPE
- 5 FILLED WITH PARTS
- 6 MADE FROM POLYSTYRENE

24.00±0.20
-0.00
[0.945±0.008
-0.000]

THIS DRAWING IS A CONTROLLED DOCUMENT.		DRN	2411.02	 Tyco Electronics Corporation Middletown, PA 17057
DIMENSIONS:		RMF	2411.02	
MM		APVD	2411.02	
0 P.L.C. ± - 1 P.L.C. ± - 2 P.L.C. ± 0.10 (0.04) 3 P.L.C. ± - 4 P.L.C. ± - S ANGLES ± - S		NAME	MMCX JACK, SMT EDGE LAUNCH	
MATERIAL	FINISH	PRODUCT SPEC	APPLICATION SPEC	SEE CASE CODE DRAWING NO
-	-	WEIGHT	-	A2 00779 © 1408152
		CUSTOMER DRAWING		RESTRICTED TO
				SCALE NTS SHEET 2 OF 2 REV E

1408152