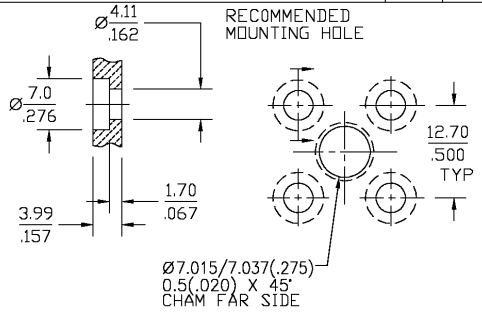


REVISIONS			
REV	DESCRIPTION	DATE	APPROVED
01	RELEASED	DM 6/28/99	DC 7/6/99
B	REVISED PER ECN 0U20-0262-01	GV 1/6/03	JGH



ELECTRICAL	MECHANICAL	ENVIRONMENTAL	HOUSING	MATERIAL	FINISH																						
Nominal Impedance (Ohms) 50 Frequency Range (GHz) DC to 12.4 Volt Rating (VRMS MAX) @ Sea Level 335 VSWR TBD Insertion Loss (dB MAX) .06 √F(GHz) RF Leakage (dB MIN) -[60-F(GHz)] Corona, 70,000 Ft (VRMS MIN) 250 Dielectric Withstanding Voltage (VRMS MIN) @ Sea Level 1000 Contact Resistance (Milliohms MAX) Center Contact 4.0 Outer Contact 2.0 Cable to Housing N/A RF High Potential @ Sea Level (VRMS MIN @ 5 MHz) 670 I.R.(Megohms MIN) 5000	Interface Dimensions MIL-STD-348A Fig. 321.1 & 310.2 Recommended Mating Torque 7-10 In-Lb Mating Characteristics: Insertion (MAX Lbs) 3 Withdrawal (MIN Oz) 1 Force to Engage (MAX) DSP 3 (Lbs) SMA 2 (In Lbs) Force to Disengage (MAX) DSP 1.5 (Lbs) SMA 2 (In Lbs) Center Contact Captivation Axial (Lbs) 6 MIN Radial (In Oz) N/A Weight (Grams) TBD	TEMPERATURE RATING -65°C TO +125°C Vibration MIL-STD-202, Method 204, Condition D Shock MIL-STD-202, Method 213, Condition I Thermal Shock MIL-STD-202, Method 107, Condition B Moisture Resistance MIL-STD-202, Method 106, Except Step 7B (Vibration) Shall Be Omitted Corrosion - MIL-STD-202, Method 101, Condition B, 5% salt spray  XX.XX = mm .XXX = in (REF)	STAINLESS STEEL TYPE 316 DIELECTRIC PTFE FLUOROCARBON PER ASTM-D-1457 CENTER CONTACT BERYLLIUM COPPER PER ASTM-B-196 OR ASTM-B-197, ALLOY C17300, CONDITION H O-RING FLUOROSILICONE PER MIL-R-25988, CLASS I, TYPE I.	PASSIVATE PER QQ-P-35 N/A GOLD PLATE PER MIL-G-45204 N/A																							
<table border="1"> <tr> <td>UNLESS OTHERWISE SPECIFIED DIMENSIONS ARE IN TOLERANCE IN</td> <td>DRAWN BY TIM VANDER</td> <td>DATE 3/3/99</td> </tr> <tr> <td>FRAC. DEC. ANGLES ± 1/64 ± 0.10 ± 1°</td> <td>CHECKED BY</td> <td></td> </tr> <tr> <td>APPROVED BY</td> <td>USE ASS'Y PROCEDURE</td> <td></td> </tr> <tr> <td></td> <td>ND. AP. N/A</td> <td></td> </tr> </table>		UNLESS OTHERWISE SPECIFIED DIMENSIONS ARE IN TOLERANCE IN	DRAWN BY TIM VANDER	DATE 3/3/99	FRAC. DEC. ANGLES ± 1/64 ± 0.10 ± 1°	CHECKED BY		APPROVED BY	USE ASS'Y PROCEDURE			ND. AP. N/A		<table border="1"> <tr> <td colspan="3"> <b>AMP Incorporated</b>            140 Fourth Avenue            Waltham, MA 02451-7599         </td> </tr> <tr> <td colspan="3"> <b>TITLE</b> DSP FLANGE MOUNT PLUG TO SMA JACK RIGHT ANGLE ADAPTER         </td> </tr> <tr> <td>SIZE B</td> <td>CODE IDENT. NO. 26805</td> <td>4588-5001-02</td> </tr> <tr> <td>SCALE 2:1</td> <td></td> <td>REV 01</td> </tr> </table>		<b>AMP Incorporated</b> 140 Fourth Avenue Waltham, MA 02451-7599			<b>TITLE</b> DSP FLANGE MOUNT PLUG TO SMA JACK RIGHT ANGLE ADAPTER			SIZE B	CODE IDENT. NO. 26805	4588-5001-02	SCALE 2:1		REV 01
UNLESS OTHERWISE SPECIFIED DIMENSIONS ARE IN TOLERANCE IN	DRAWN BY TIM VANDER	DATE 3/3/99																									
FRAC. DEC. ANGLES ± 1/64 ± 0.10 ± 1°	CHECKED BY																										
APPROVED BY	USE ASS'Y PROCEDURE																										
	ND. AP. N/A																										
<b>AMP Incorporated</b> 140 Fourth Avenue Waltham, MA 02451-7599																											
<b>TITLE</b> DSP FLANGE MOUNT PLUG TO SMA JACK RIGHT ANGLE ADAPTER																											
SIZE B	CODE IDENT. NO. 26805	4588-5001-02																									
SCALE 2:1		REV 01																									

CUSTOMER DRAWING AMP PART # 1331567-1 SHEET 1 OF 1 REV B