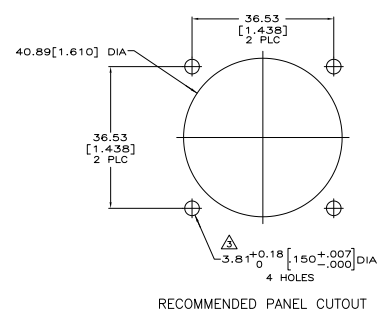
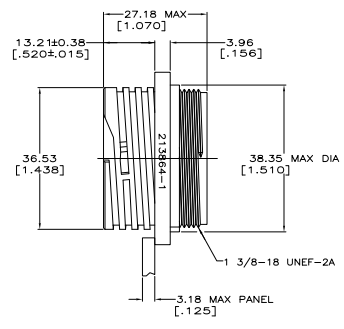
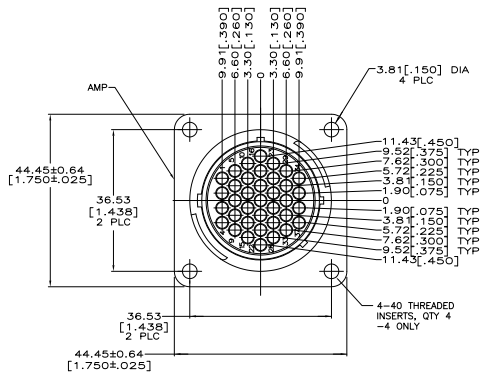


REV	DATE	DESCRIPTION	BY	CHK	APP
0					
1	1/2/08	REVISE PER ECO-08-00048	SS	SH	

1. CAVITY IDENTIFICATION ON FRONT AND REAR FACE.
 2. WILL ACCEPT THIRTY-SEVEN (37) MULTIMATE SOCKET CONTACTS.
- △ NO 4 FASTENER RECOMMENDED FOR MOUNTING.
 - △ MATERIAL: GLASS REINFORCED NYLON.
 - △ MATERIAL: GLASS REINFORCED NYLON, 100% VIRGIN.



△	YES	213864-4
△	NO	213864-2
△	NO	213864-1

NOTES 4-40 INSERTS PART NUMBER

THIS DRAWING IS A CONTROLLED DOCUMENT.		REV. 01/26/04	DATE	12/26/04
DRAWING NUMBER: 108-10024		REV. 01/26/04	DATE	12/26/04
DRAWING TITLE: RECEPTACLE HOUSING, REVERSE		TYS Electronics Corporation Harrisburg, PA 17105-3608		
DRAWING SCALE: 1:1		DRAWING NO: 108-10024		
DRAWING SIZE: A1		REVISED TO: 213864		
DRAWING DATE: 1/26/04		CUSTOMER DRAWING		