

4

3

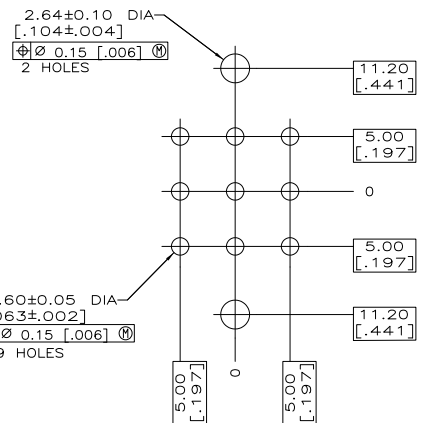
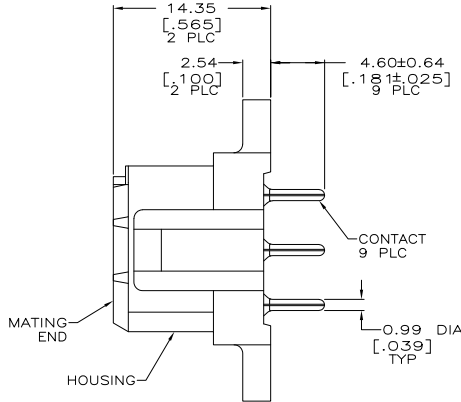
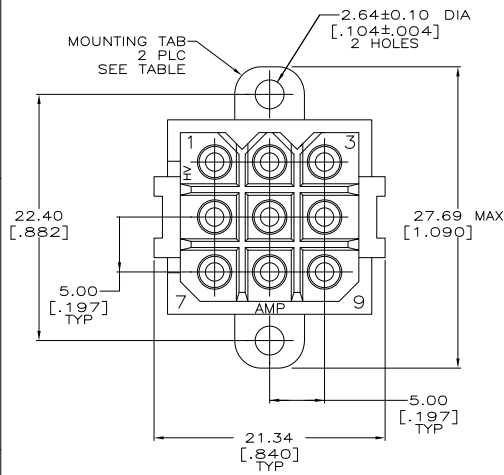
M50

2

1

THIS DRAWING IS UNPUBLISHED. RELEASED FOR PUBLICATION
 © COPYRIGHT - By - ALL RIGHTS RESERVED.

LOC	DIST	REVISIONS					
FT	0	P	LTR	DESCRIPTION	DATE	BY	APPD
		M1		REVISED PER ECO-11-005027	11MAR11	RK	HMR



- ▲ NYLON, UL 94-VO RATED, RED.
- ▲ PHOSPHOR BRONZE.
- ▲ 3.81um [.000150] MIN TIN-LEAD OVER 1.27um [.000050] MIN NICKEL.
- ▲ 0.76um [.000030] MIN GOLD FOR A LENGTH OF 4.95 [.195] MIN FROM MATING END, 3.81um [.000150] MIN TIN-LEAD FOR A LENGTH OF 4.88 [.192] MIN ON OPPOSITE END, BOTH OVER 1.27um [.000050] MIN NICKEL.
- ▲ 3.81um [.000150] MIN TIN OVER 1.27um [.000050] MIN NICKEL.
- ▲ 0.76um [.000030] MIN GOLD FOR A LENGTH OF 4.95 [.195] MIN FROM MATING END, 3.81um [.000150] MIN TIN FOR A LENGTH OF 4.88 [.192] MIN ON OPPOSITE END, BOTH OVER 1.27um [.000050] MIN NICKEL.

▲	NO	1-207526-0
▲	YES	207526-9
▲	NO	207526-8
▲	YES	207526-7
▲	NO	207526-4
▲	YES	207526-3
▲	NO	207526-2
▲	YES	207526-1
	CONTACT FINISH	MOUNTING TABS
		PART NO

THIS DRAWING IS A CONTROLLED DOCUMENT. DIM: 03/20/92
 L. SHIP 3-25-92
 G. STONE
 S. STONE
 P. STONE

TE Connectivity
 SOCKET HEADER ASSEMBLY,
 9 POSITION, METRIMATE

SIZE: A2 CASE CODE: 00779 DRAWING NO: C-207526
 RESTRICTED TO: M1

MATERIAL: HOUSING: 1 CONTACT: SEE TABLE
 FINISH: CUSTOMER DRAWING

SCALE: 4:1 SHEET: 1 of 1 REV: M1