

4

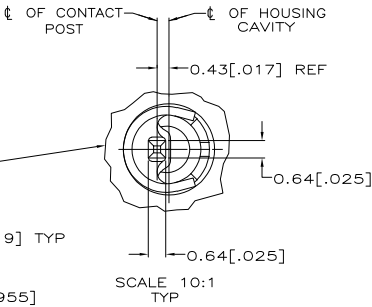
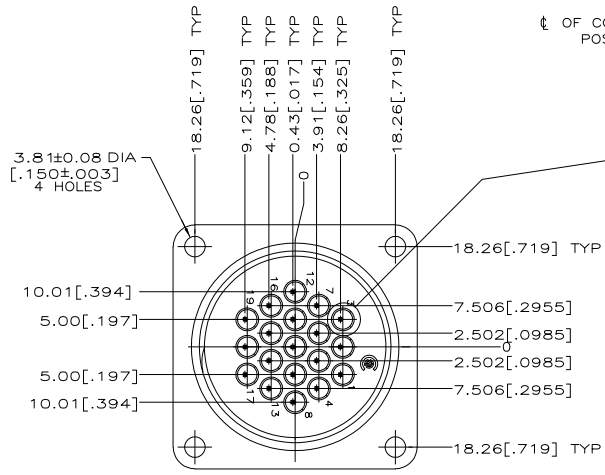
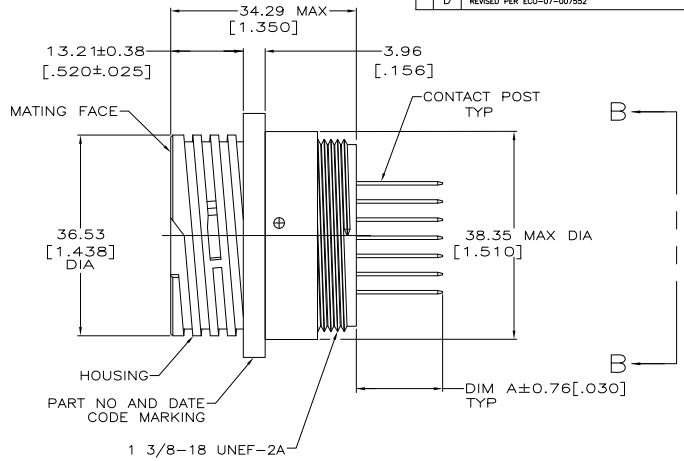
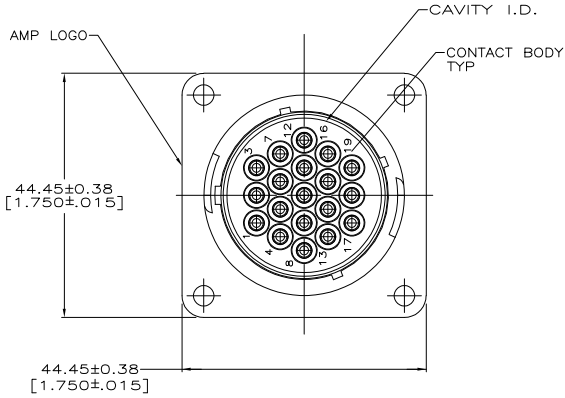
3

2

1

THIS DRAWING IS UNPUBLISHED. RELEASED FOR PUBLICATION  
 BY TYCO ELECTRONICS CORPORATION. ALL RIGHTS RESERVED.

LOC	DIST	REVISIONS		
F	LTR	DESCRIPTION	DATE	BY
D		REVISED PER ECO-07-007552	4/20/07	SS SH



6.20[.244]	△	213859-3
15.70[.618]	△	213859-2
15.70[.618]	△	213859-1
DIM A	CONTACT FINISH	PART NUMBER

THIS DRAWING IS A CONTROLLED DOCUMENT.		DATE	Tyco Electronics Corporation	
DIMENSIONS:	mm [INCHES]	01-06-95	Harrisburg, PA 17105-3608	
DESIGNER:	D. HARDY	01-09-95	RECEPTACLE ASSEMBLY, POSTED, STANDARD SEX, 23-19, CPC	
PRODUCT SPEC:	108-10024		RESTRICTED TO	
APPLICATION SPEC:	114-10038		SIZE	CAGE CODE
MATERIAL:			A2	00779
HOUSING:			C=213859	
CONTACT SPRING:			SCALE 2:1 SHEET 1 of 2 REV D	
CONTACT BODY & POST:			CUSTOMER DRAWING	

AMP 1471-9 REV 31MM2000

213859

A

4

3

2

1

THIS DRAWING IS UNPUBLISHED.	RELEASED FOR PUBLICATION
© COPYRIGHT BY TYCO ELECTRONICS CORPORATION.	ALL RIGHTS RESERVED.

LOC	DIST	REVISIONS		
F	L/R	DESCRIPTION	DATE	BY
—	—	SEE SHEET 1	—	—

NYLON, UL94V-0 RATED, BLACK.

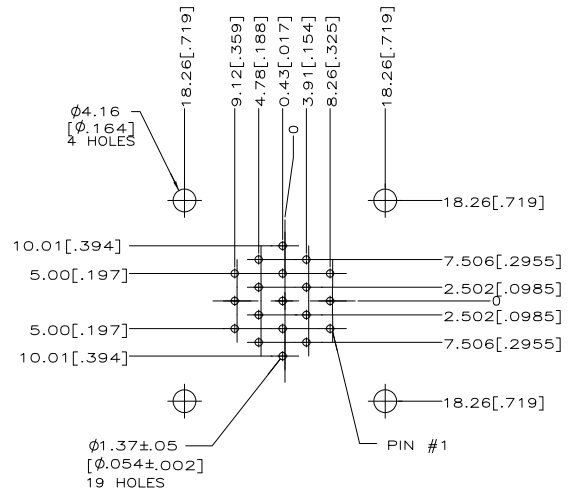
STAINLESS STEEL.

BRASS

CONTACT BODY: 0.76 $\mu$ m[.000030] MIN GOLD FOR A LENGTH OF 5.08[.200] MIN FROM MATING END. GOLD FLASH ON REMAINDER, BOTH OVER 1.27 $\mu$ m[.000050] MIN NICKEL.  
 CONTACT POST: 2.54 $\mu$ m[.000100] MIN TIN-LEAD OVER 1.27 $\mu$ m[.000050] MIN NICKEL.

5. RECOMMENDED PC BOARD HOLE SIZE FOR CONTACT POST = 0.89 $\pm$ 0.08[.035 $\pm$ .003] DIA.

CONTACT BODY: 0.76 $\mu$ m [.000030] MIN GOLD FOR A LENGTH OF 5.08 [.200] MIN FROM MATING END. GOLD FLASH ON REMAINDER, BOTH OVER 1.27 $\mu$ m[.000050] MIN NICKEL.  
 CONTACT POST: 2.54 $\mu$ m[.000100] MIN TIN OVER 1.27 $\mu$ m[.000050] MIN NICKEL.



RECOMMENDED P.C. BOARD LAYOUT

THIS DRAWING IS A CONTROLLED DOCUMENT.		DN: D. HARDY 01-06-95	Tyco Electronics Corporation Harrisburg, PA 17105-3608
DIMENSIONS: mm [INCHES]		CHK: S. STONE 01-09-95	
0 PLG # - - 1 PLG # - - 2 PLG # 0.25 (010) 3 PLG # 0.127 (0050) 4 PLG # - - ANGLES # - - MATERIAL HOUSING:  CONTACT SPRING:  CONTACT BODY & POST:		PRODUCT SPEC: 108-10024 APPLICATION SPEC: 114-10038 WEIGHT: - FINISH: - CONTACT: SEE TABLE	RECEPTACLE ASSEMBLY, POSTED, STANDARD SEX, 23-19, CPC SIZE: A2 CASE CODE: C=213859 DRAWING NO: 213859 RESTRICTED TO: - SCALE: 2:1 SHEET: 2 of 2 REV: D
MATERIAL HOUSING:  CONTACT SPRING:  CONTACT BODY & POST:		CUSTOMER DRAWING	

AMP 1471-9 REV 31MM2000

213859