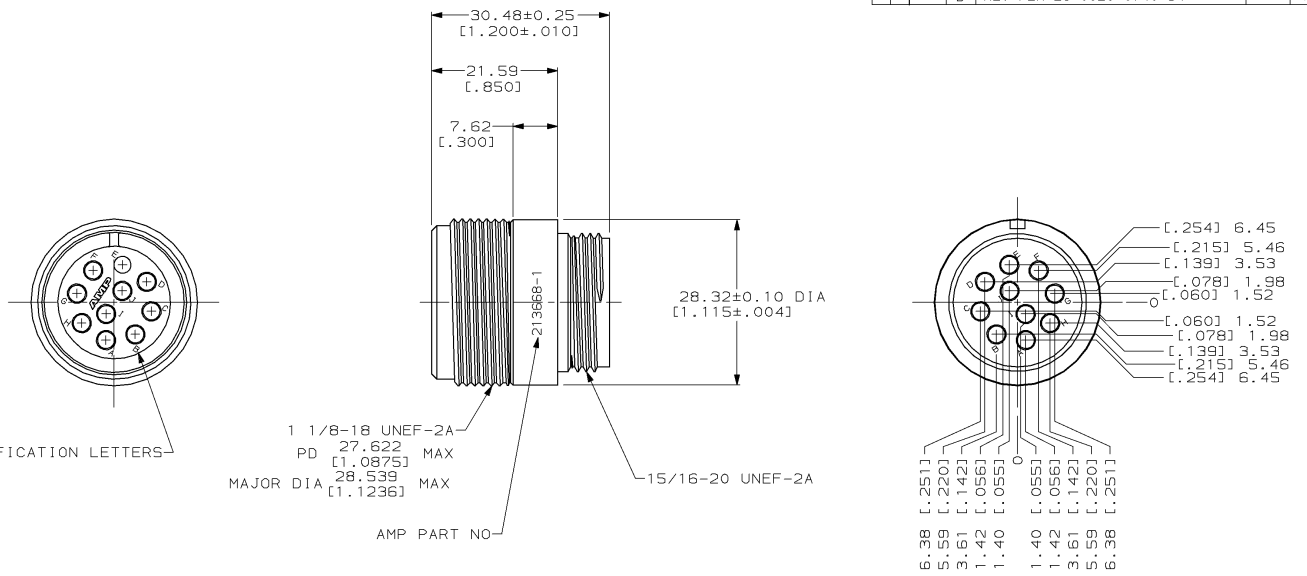


DRAWING MADE IN THIRD ANGLE PROJECTION
 THIS DRAWING IS UNPUBLISHED. RELEASED FOR PUBLICATION
 © COPYRIGHT 19 BY AMP INCORPORATED. ALL INTERNATIONAL RIGHTS RESERVED.

MOD	LOC	DIST	P	F	ZONE	LTR	DESCRIPTION	DATE	APPD
4	BD	35					0 RLSE, WAS 91-5029-2, NPR 3371	4-91	KB
							A REV PER ECN 805278	08/13/91	KB
							B REV PER ECN 805637	05/28/92	KB
							C REV PER EC 0020-155-94	03/16/94	AF
							D REV PER EC 0020-0740-94	07/13/94	AF



CAVITY IDENTIFICATION LETTERS BOTH SIDES

1. THIS PART ACCEPTS TYPE III+ SOCKET CONTACTS.

DO NOT SCALE PRINT. UNLESS SPECIFIED DIMENSIONS IN mm [INCHES] TOLERANCES ON + 2 PLC DEC ± 0.13(.005) 3 PLC DEC ± . ANGLES ± 1°		DR 4-30-91 J McCLINTON	PART NO 213668-1	
MATERIAL POLYAMID, BLACK	APPD 5-2-91 R.STONE	APPD 5-2-91 K.BEAVER	NAME RECEPTACLE HOUSING, 18-10, REVERSE SEX, FREE HANGING, CPC	
FINISH -	PRODUCT SPEC 108-10024	APPLICATION SPEC 114-10004	SIZE C	CAGE CODE 00779
WEIGHT -			DRAWING NO 213668	SHEET 1 OF 1

AMP 1471-6 REV 9-89
 13-JUL-94 11:32:02 amp34723 /home/ea026a/dept4023/amp34723/edmod

CUSTOMER DRAWING

213668