

4

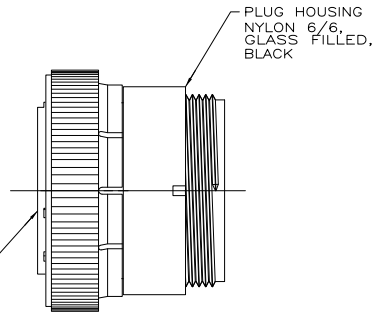
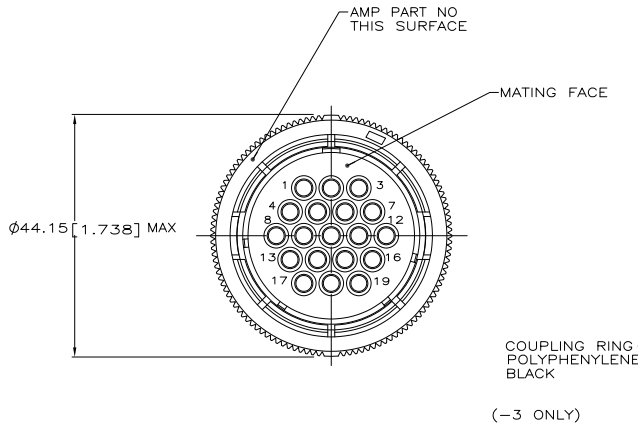
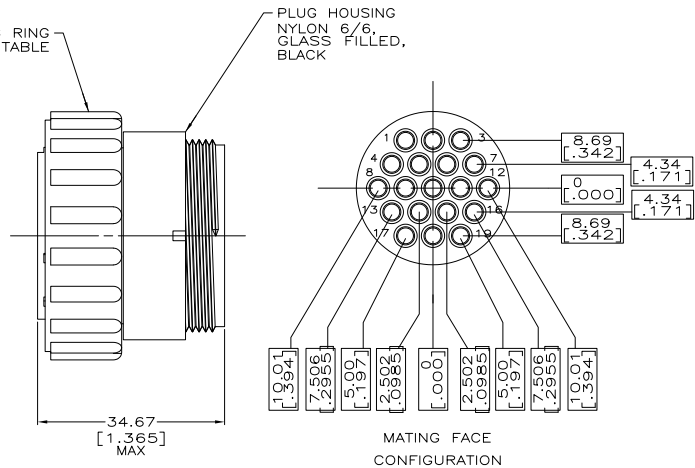
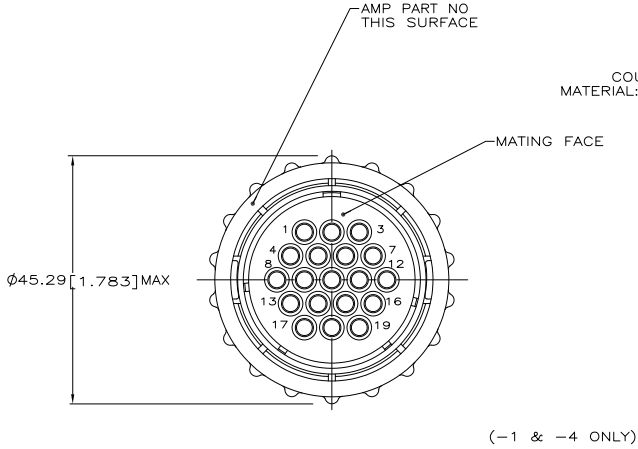
3

2

1

THIS DRAWING IS UNPUBLISHED. RELEASED FOR PUBLICATION. ALL RIGHTS RESERVED.

LOC	DIST	REVISIONS		
F	LNK	DESCRIPTION	DATE	BY
FT	0			
	E3	REVISED PER ECO-11-004917	11MAR11	RK HMR



OBSOLETE	DIE CAST ZINC	211772-4
	POLYESTER, BLACK	211772-3
	POLYESTER, BLACK	211772-1
COUPLING RING MATERIAL	PART NUMBER	

- CONTACT CAVITIES IDENTIFIED BY CHARACTERS ON FRONT AND REAR FACES OF CONNECTOR.
 - THIS PART WILL ACCEPT 19 MULTIMATE PIN CONTACTS.
 - NORMAL KEYING.
- ⚠ OBSOLETE PARTS: OBSOLETE CIS STREAMLINING PER D.RENAUD/D.SINISI

THIS DRAWING IS A CONTROLLED DOCUMENT.		DRM S. RIDGLEY 31 JUL 90	TE Connectivity
DIMENSIONS: mm [INCHES]		CHK R. STONE 28 APR 91	
TOLERANCES UNLESS OTHERWISE SPECIFIED:		APPD K. BEAVER 03 APR 91	PLUG ASSEMBLY, SHELL SIZE 23, REVERSE SEX, SPECIAL VDE, CPC
0 PLC ± .01		PRODUCT SPEC 108-10024	
1 PLC ± .01		APPLICATION SPEC	SIZE CASE CODE DRAWING NO
2 PLC ± .01		WEIGHT	A2 00779 C=211772
3 PLC ± .01		CUSTOMER DRAWING	RESTRICTED TO
4 PLC ± .01			SCALE 2:1 SHEET 1 of 1 REV E3
ANGLES ± .5			
FINISH			