

4

3

2

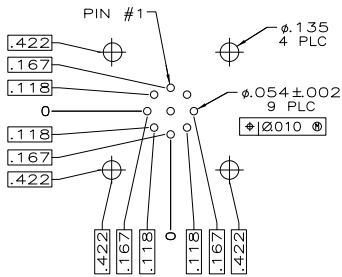
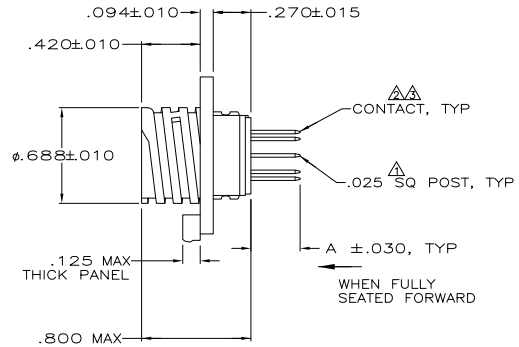
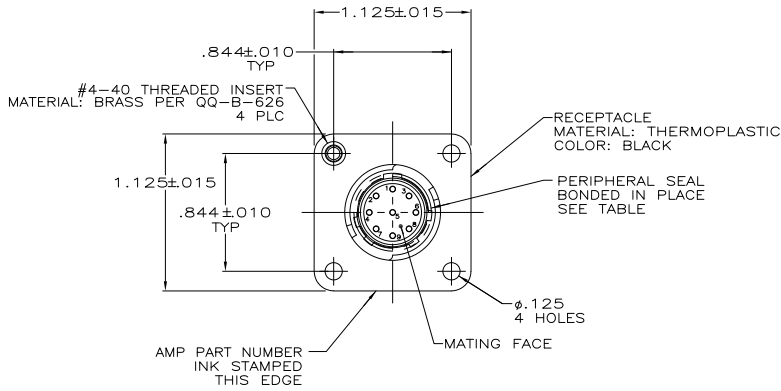
1

THIS DRAWING IS UNPUBLISHED. RELEASED FOR PUBLICATION  
 © COPYRIGHT - By - ALL RIGHTS RESERVED.

LOC	DIST	REVISIONS				
FT	0	P	LR	DATE	BY	APPD
		T1	REVISED PER ECO-11-004917	11MAR11	RK	HMR

NOTES:

- ⚠ POSTS WILL BE ORIENTED WITH SEAM TOWARD INK STAMPED EDGE, OR ROTATED 180°.
- ⚠ .000030 MIN GOLD FOR A LENGTH OF .200 MIN FROM MATING END, .000100 MIN TIN-LEAD FOR A LENGTH OF DIMENSION 'A' FROM OPPOSITE END, ALL OVER .000050 MIN NICKEL.
- ⚠ .000030 MIN GOLD FOR A LENGTH OF .200 MIN FROM MATING END, .000100 MIN TIN FOR A LENGTH OF DIMENSION 'A' FROM OPPOSITE END, ALL OVER .000050 MIN NICKEL.



RECOMMENDED PC BOARD LAYOUT

	⚠	.125	NO	NO	1-206852-2
	⚠	.352	NO	NO	1-206852-1
PRELIMINARY	⚠	.125	YES	YES	1-206852-0
PRELIMINARY	⚠	.796	YES	YES	206852-9
	⚠	-	NO	YES	206852-8
OBsolete	⚠	-	NO	NO	206852-7
OBsolete	⚠	-	NO	NO	206852-6
OBsolete	⚠	-	NO	NO	206852-5
OBsolete	⚠	.352	NO	NO	206852-4
OBsolete	⚠	.574	NO	NO	206852-3
	⚠	.125	NO	NO	206852-2
	⚠	.352	NO	NO	206852-1
CONTACT FINISH	⚠	DIM A	PERIPHERAL SEAL	THREADED INSERTS	PART NUMBER

THIS DRAWING IS A CONTROLLED DOCUMENT.

INCHES

0 PLC ± -  
 1 PLC ± -  
 2 PLC ± .02  
 3 PLC ± .005  
 4 PLC ± .01

MATERIAL SEE CALLOUT

FINISH

DATE: 2-22-91  
 BY: J. GALLUCCI  
 CHECKED: W. G. LENKER  
 DATE: 4-13-92

PRODUCT SPEC: 108-10024

APPLICATION SPEC: -

WEIGHT: -

TE Connectivity

RECEPTACLE ASSEMBLY, POSTED, STD SEX, SERIES 2, 11-9, CPC

SIZE: A2  
 CASE CODE: 00779  
 DRAWING NO: C-206852

RESTRICTED TO: -

CUSTOMER DRAWING

SCALE: 2:1

SHEET: 1 of 1

REV: T1