

4

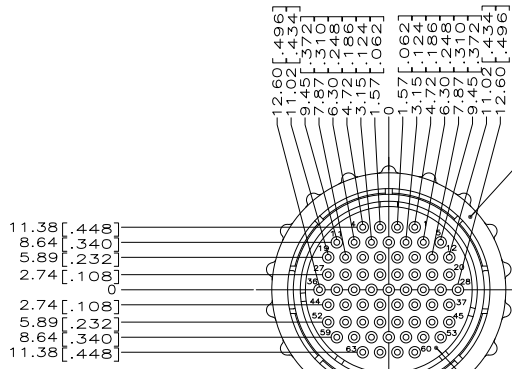
3

2

1

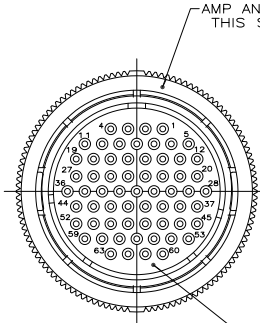
THIS DRAWING IS UNPUBLISHED. RELEASED FOR PUBLICATION. ALL RIGHTS RESERVED.

LOC	DIST	REVISIONS				
FT	4	F	LR	DATE	BY	APPD
		J1		REVISED PER ECO-11-004917	11MAR11	RK HMR

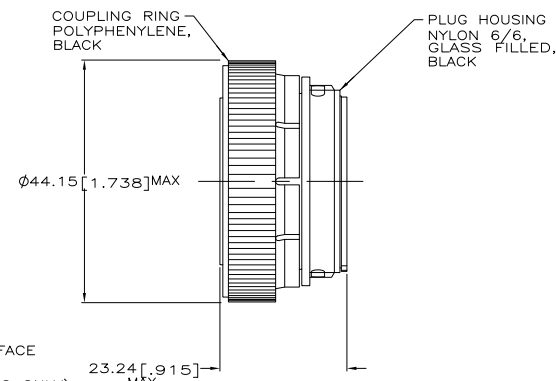
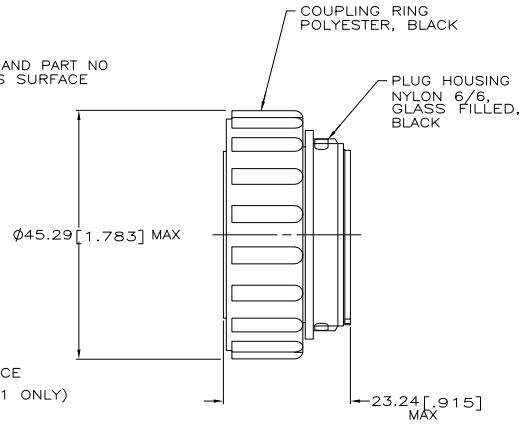


AMP AND PART NO THIS SURFACE

MATING FACE (-1 ONLY)



MATING FACE (-2 ONLY)



- CONTACT CAVITIES IDENTIFIED BY CHARACTERS ON FRONT AND REAR FACES OF CONNECTOR.
- WILL ACCEPT (63) SIZE 20 SOCKET CONTACTS.

205842-2
205842-1
PART NUMBER

THIS DRAWING IS A CONTROLLED DOCUMENT.		BY: A. STAUB, BG 4 APR 91	TE Connectivity
DRAWING NO: 108-10024		CHK: W. LENKER 23 JUL 92	
DIMENSIONS: mm [INCHES]		APPD: K. BEAVER 23 JUL 92	PLUG ASSEMBLY, STD SEX, SERIES 2, 23-63, CPC
TOLERANCES UNLESS OTHERWISE SPECIFIED:		NAME: PRODUCT SPEC	
0 PLC	±	APPLICATION SPEC	SIZE: A2
1 PLC	±	WEIGHT	CAGE CODE: 00779
2 PLC	± 0.13 (0.005)	FINISH	SCALE: 2:1
3 PLC	±	MATERIAL: SEE CALLOUTS	SHEET: 1 of 1
4 PLC	±	ANGLES	REV: J1
MATERIAL: SEE CALLOUTS		CUSTOMER DRAWING	RESTRICTED TO: -