

4

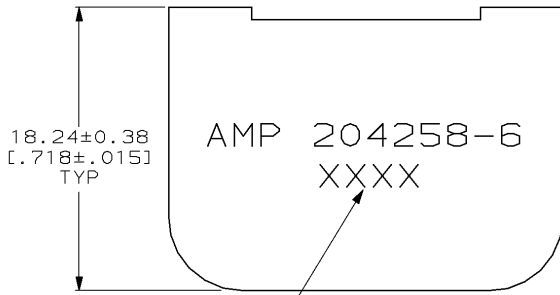
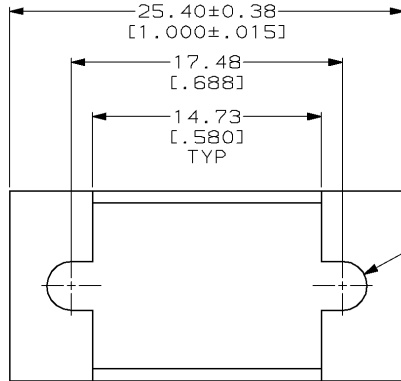
3

2

1

THIS DRAWING IS UNPUBLISHED. RELEASED FOR PUBLICATION
 BY AMP INCORPORATED. ALL RIGHTS RESERVED.

Loc		DIST		REVISIONS				
P	LTR	DESCRIPTION	DATE	DWN	APVD			
C		REDRAWN W/O CHANGE PER EC 0020-292-96	29 APR 96	BC	GS			



1.57 [.062] R
TYP

DATE CODE

12.70±0.51
[.500±.020]

204258-6

PART
NUMBER

THIS DRAWING IS A CONTROLLED DOCUMENT.		DWN	B. CARBO	29 APR 96	AMP Incorporated Harrisburg, PA 17105-3608
		CHK	R. STONE	16 MAY 96	
		APVD	G. STEINHAUER	22 AUG 96	NAME PIN HOOD, 6 POSITION, MINIATURE RECTANGULAR, W/O SHIELD, M SERIES
		PRODUCT SPEC			
		APPLICATION SPEC			SIZE A3
		WEIGHT			
MATERIAL CARBON STEEL		FINISH 5.08µm [.000200] MIN NICKEL PER QQ-N-290		CAGE CODE 00779	
		CUSTOMER DRAWING		DRAWING NO 204258	
				SCALE	4:1
				SHEET	1 OF 1
				REV	C

AMP 1470-19 REV 23FEB95

29-APR-96 15:02:31 amp40873 /home/ssrv0264/dsk01/dep14023/amp40873/edmod