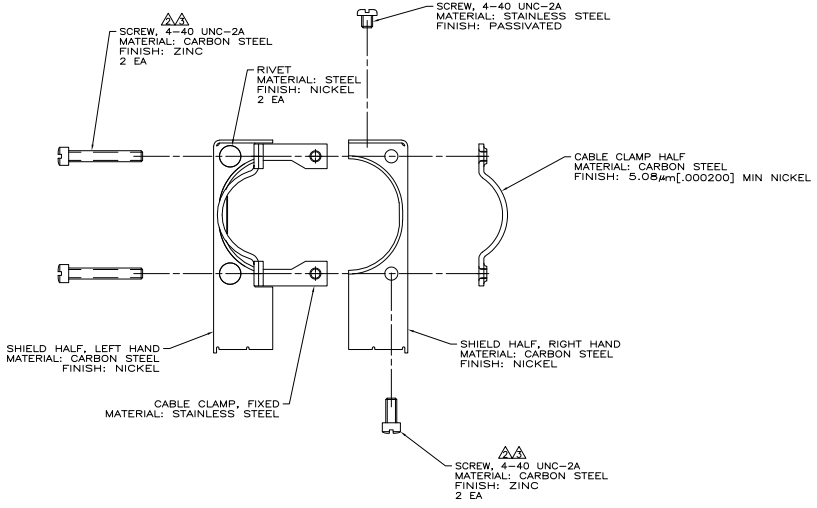
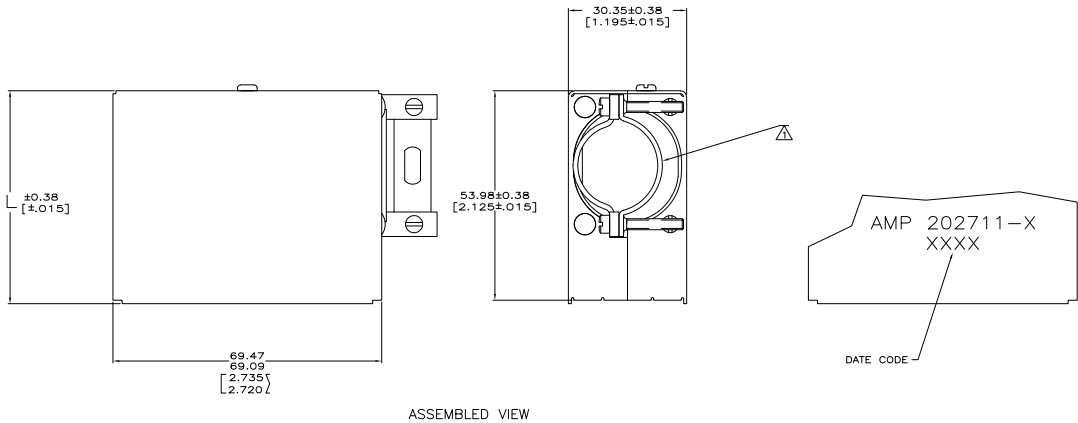


THIS DRAWING IS UNPUBLISHED. RELEASED FOR INFORMATION.
 © 2007 TTI ELECTRONICS CORPORATION. ALL RIGHTS RESERVED.

REVISED FOR INFORMATION		REVISIONS	
REV	DATE	DESCRIPTION	BY
N1	1/5/07	REVISED PER ECO-07-00074	SS



- △ CABLE CLAMP WILL ACCEPT 12.70 TO 25.40 [500 TO 1000] DIA CABLE (USE BUSHING 202038 OR 202039 FOR 12.70 [500] DIA CABLE).
- △ ZINC PLATING WITH HEXAVALENT CHROMATE COATING.
- △ ZINC PLATING WITHOUT HEXAVALENT CHROMATE COATING.

△	71.04 [2.797]	1-202711-2
△	54.86 [2.160]	1-202711-1
△	71.04 [2.797]	202711-3
△	54.86 [2.160]	202711-1
SCREW FINISH	L	PART NUMBER

THIS DRAWING IS A CONTROLLED DOCUMENT.		DATE		REV		BY		CHK	
DESIGNED	DATE	DESIGNED	DATE	DESIGNED	DATE	DESIGNED	DATE	DESIGNED	DATE
APPROVED	DATE	APPROVED	DATE	APPROVED	DATE	APPROVED	DATE	APPROVED	DATE
CUSTOMER DRAWING		A1		00779		G=202711		REWORKED TO	
SCALE		2:1		SHEET		1		OF	
TITLED		SHIELD KIT, UNASSEMBLED,		75 POSITION, 2 PIECE, M SERIES					