

4

3

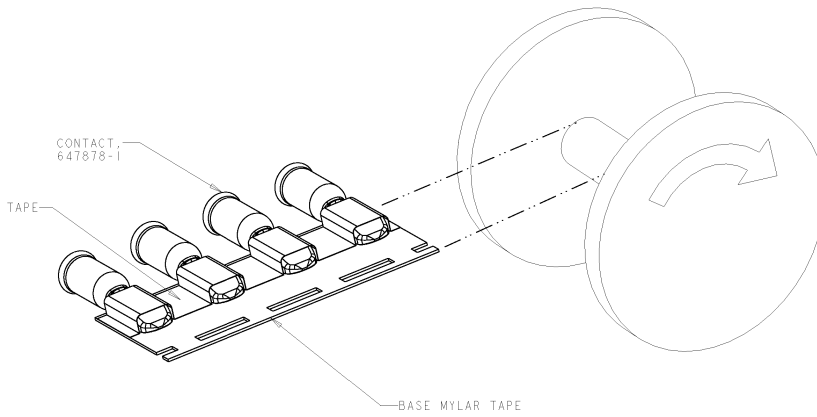
2

1

THIS DRAWING IS UNPUBLISHED. RELEASED FOR PUBLICATION 2/9  
 (C) COPYRIGHT 20 BY TYCO ELECTRONICS CORPORATION. ALL RIGHTS RESERVED.

REV	DATE	BY	CHKD	DESCRIPTION
0	07AUG2003	JE	JE	REVISED PER 0638-0200-03

1. VERIFICATION TEST SPEC. 502-1136.
2. FOR USE WITH AMP-TAPETRONIC™ MACHINE 68250-1 (DIE 68344-1 REQUIRED).



647755-1  
 PART NUMBER



<small>TYCO ELECTRONICS CORPORATION</small> <small>1000 W. WHITTAKER</small> <small>HARRISBURG, PA 17105-3400</small>		<small>DATE</small> 07AUG2003 <small>BY</small> WHITAKER <small>CHKD</small> ELLIS <small>APPD</small> ELLIS <small>DRWG</small>	<b>tyco</b> <b>Electronics</b> <small>Tyco Electronics</small> <small>Harrisburg, PA 17105-3400</small>
<small>DIMENSIONS:</small> <small>mm (INCHES)</small>		<small>PRODUCT SPEC</small> <small>APPLICATION SPEC</small> <small>WEIGHT</small>	<small>SIZE</small> CASE CODE DRAWING NO A2100779 647755
<small>MATERIAL</small> COPPER		<small>FINISH</small> SILVER	<small>RESTRICTED TO</small> -
<small>CUSTOMER DRAWING</small>		<small>SCALE</small> 2:1	<small>SHEET</small> 1 OF 1 <small>REV</small> 0

AMP 1471-8 REV 01MAR2000  
 PRO-ENGINEER DRAWING