

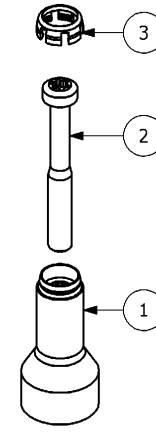
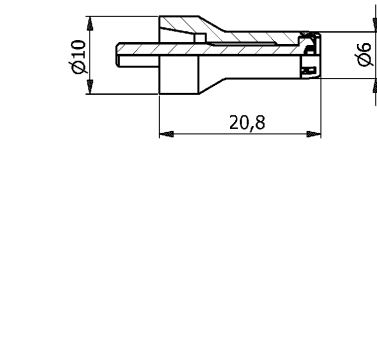
0-1 as shown

NOTES

- 1 SUITABLE CRIMP BARRELS: SERIES HF.06/08
CUSTOMER DRAWING: 1110952, 1108807
- 2 SUITABLE INSERTS: SERIES MDL; MDL2
CUSTOMER DRAWING: 1103024, 1104560, 1110957
- 3 STANDARDS:
DIN EN 61984; DIN EN 60664-1
- 4 PACKAGING:
10 SETS IN A CARTON, PRE-MOUNTED

QTY.	DESCRIPTION	MATERIAL	SURFACE	COLOR	NOTE	ITEM
1	PIN CONTACT	BRASS	SILVER PLATED	---	LONG VERSION	1
1	SCREW	STAINL. STEEL	---	---	M3X27, SELFLOCKING	2

PN: 0-1 / Ordering Text: HF-06-Stü



0-2 as shown

NOTES

- 1 SUITABLE CRIMP BARRELS: SERIES HF.06/08
CUSTOMER DRAWING NO.: 1110952, 1108807
- 2 SUITABLE INSERTS: SERIES HVS; HC.20
CUSTOMER DRAWING: 1103243, 1245442
- 3 STANDARDS:
DIN EN 61984; DIN EN 60664-1
- 4 PACKAGING:
10 SETS IN A CARTON, PRE-MOUNTED

QTY.	DESCRIPTION	MATERIAL	SURFACE	COLOR	NOTE	ITEM
1	IP20-PROTECTION	PA6.6-GF25	NATURAL	BLACK	FOR PIN CONTACT	3
1	SCREW	STAINL. STEEL	---	---	M3X23,5, SELFLOCKING	2
1	PIN CONTACT	BRASS	SILVER PLATED	---	SHORT VERSION	1

PN: 0-2 / Ordering Text: HF-06-Stü-IP20

<small>THIS DRAWING IS A CONTROLLED DOCUMENT FOR AMP INCORPORATED. IT IS SUBJECT TO CHANGE FOR THE CONTROLLED VERSIONS. INFORMATION SHOULD BE OBTAINED FOR THE LATEST REVISION. DIESES ZEICHNUNGSDOKUMENT WIRD ALS KONTROLLETES DOKUMENT FÜR AMP INCORPORATED. ES IST ANGEHOBT, DIE NEUESTEN TECHNISCHEN AKTUALISIERUNGSSTADIEN FÜR DIESE ZEICHNUNG ZU ERHALTEN.</small>		DWN: 09.08.2005	Tyco / Electronics AMP GmbH D - 53819 Neunkirchen
DIMENSIONS: mm 		CHK: H.BRAUN 09.08.2005	
<small>TOLERANCES UNLESS OTHERWISE SPECIFIED: ALLGEMEINTOLERANZEN IN: ISO 8015 H: ISO 2768 M: DIN 16901</small>		APD: 09.08.2005 T: SCHNURPFIL PRODUCT SPEC: 108-74024 APPLICATION SPEC: 114-74031	NAME: ASS'Y PIN CONTACT SERIES HF6 SIZE: A3 CAGE CODE: 00779 DRAWING NO: 1110948 RESTRICTED TO: NUR FÜR:
MATERIAL:		FINISH / OBERFLÄCHE / FARBE:	WEIGHT / GEWICHT:
AMP 1470-19 REV 27JUN06 This is a TRANSLATED file from Computervision, Inc., Release Revision 12.2.ST		CUSTOMER DRAWING / KUNDENZEICHNUNG SCALE: MASSSTAB: 2:1 SHEET: BLATT: 1 OF: VON: 1 REV: C3	