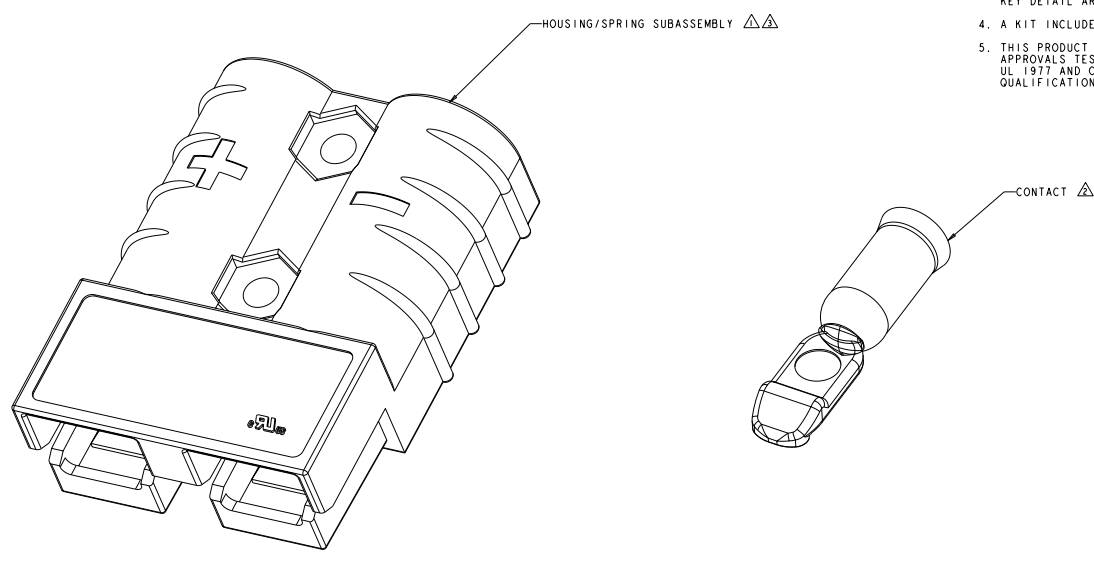


REV	DATE	DESCRIPTION	BY	CHK	APP
02		REVISED PER ECR-10-010378			

- △ HOUSING MATERIAL: POLYCARBONATE UL 94 V-0
- △ CONTACT MATERIAL: COPPER
PLATING: SILVER
- △ 647892-4 (COLOR GRAY) AND 647892-7 (COLOR BLACK)
KEY DETAIL ARE SHOWN.
- 4. A KIT INCLUDES 1 HOUSING SPRING ASSEMBLY AND 2 CONTACTS.
- 5. THIS PRODUCT HAS PASSED VERIFICATION AND AGENCY APPROVALS TESTING AND IS COMPONENT RECOGNIZED PER UL 1977 AND CSA 22.2. TYCO ELECTRONICS PRODUCT QUALIFICATION TESTING IS NOT YET COMPLETE.



647877-1	647845-8 (YELLOW)	647892-8
647877-1	647845-7 (BLACK)	647892-7
647877-1	647845-5 (BLUE)	647892-5
647877-1	647845-4 (GRAY)	647892-4
647877-1	647845-3 (RED)	647892-3
△CONTACT	△HOUSING/SPRING SUBASSEMBLY	KIT P/N

DATE: 03/20/02 DRAWN BY: J. J. J. J. CHECKED BY: J. J. J. J. APPROVED BY: J. J. J. J.		DATE: 03/20/02 DRAWN BY: J. J. J. J. CHECKED BY: J. J. J. J. APPROVED BY: J. J. J. J.		DATE: 03/20/02 DRAWN BY: J. J. J. J. CHECKED BY: J. J. J. J. APPROVED BY: J. J. J. J.	
TITLE: CONNECTOR KIT, AMP POWER SERIES 50, 6 AWG		PART NO: 647892-4		REV: A	
CUSTOMER DRAWING		DATE: 03/20/02		SHEET: 1 OF 1	