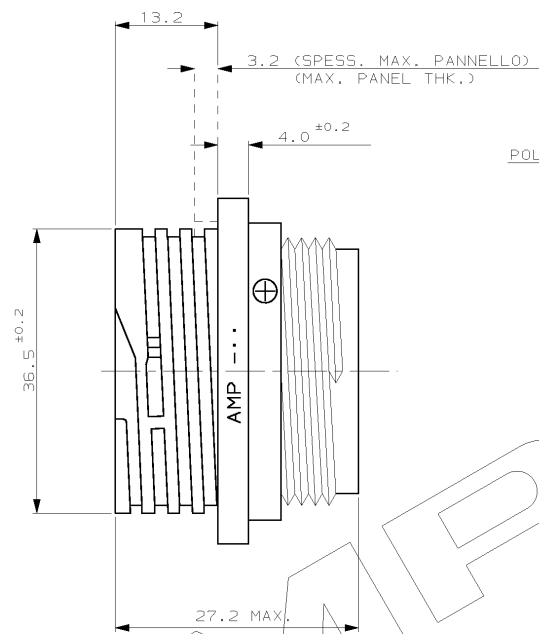
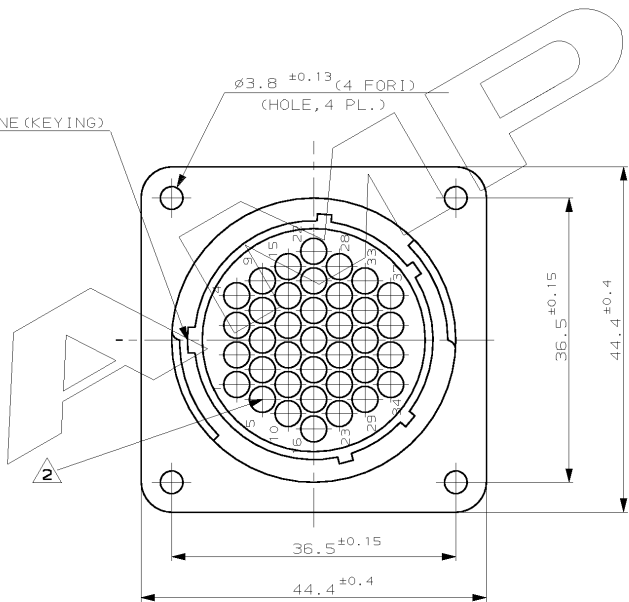


1 2 3 4 5 6 7 8

SCALA NON IMPERATIVA (DO NOT SCALE)	METRIC	PROIEZIONE EUROPEA (EUROPEAN PROJECTION)
DIMENSIONI IN (DIMENSIONS IN)		



POLARIZZAZIONE (KEYING)



IL DISEGNO INDICA IL P.N. 182920-1
(P.N. 182920-1 AS SHOWN)

NOTE (NOTES)

- MATERIALE (MATERIAL): TERMOPLASTICO COLORE NERO (THERMOPLASTIC, BLACK COLOR).
- OGNI CAVITÀ E' IDENTIFICATA DAL NUMERO POSTO SIA SUL FRONTE CHE SUL RETRO DEL CONNETTORE. (CONTACT CAVITIES IDENTIFIED BY CHARACTERS) (ON FRONT AND REAR FACES OF CONNECTOR.)
- QUESTO CONNETTORE E' APPROVATO CON FILE N.E28476 E CERTIFICATO CON FILE N.LR7189A-259 (THIS CONNECTOR IS RECOGNIZED BY FILE N.E28476 AND CERTIFIED BY FILE N.LR7189A-259)

DISTRIBUZIONE
PRINT DIST.

		CUSTOMER DRAWING FOR REFERENCE ONLY		DISEGNO PER CLIENTE SOLO PER RIFERIMENTO	
		THIS DRAWING IS UNPUBLISHED		RELEASE FOR PUBLICATION 1991	
		© COPYRIGHT 19 BY AMP INCORPORATED, HARRISBURG, PA. ALL INTERNATIONAL RIGHT RESERVED. AMP PRODUCTS MAY BE COVERED BY U.S. AND FOREIGN PATENT AND/OR PATENT PENDING			
		TOLLERANZE: SE NON DIVERSAMENTE SPECIFICATO (TOLERANCES, UNLESS OTHERWISE SPECIFIED)		DIAM. ISOLANTE (INS. DIA. RANGE) RANGE FILE (WIRE RANGE) SCALE (SCALE)	
		± 0.3		-	
		ANGOLI (ANGLES) ± 2°			
		DIS. (DR.) C. CORDOLA 22 JUNE 91		DESCRIZIONE (DESCRIPTION) C.P.C. SQUARE FLANGE RECEPTACLE FOR SOCKET CONTACTS, SIZE 23-37, REV. SEX	
M2	UPDATED PRODUCT DESCRIPTION FOR E100-0182-02	D.C.	2000		
M1	REVISED ET00-0123-99	S.S.	99		
A	RELEASED	C.C.	10-9		
REV. (REV.)	REVISIONI (REVISION RECORD)	DIS. DATA (DR. DATE)	APP. (APP.)	LOC. SIZE (LOC. NO)	NUMERO (DWG NO)
				I A	C-182920
					M2
					1 OF 1

AMP-11-7522-1-982

1 2 3 4 5 6 7 8