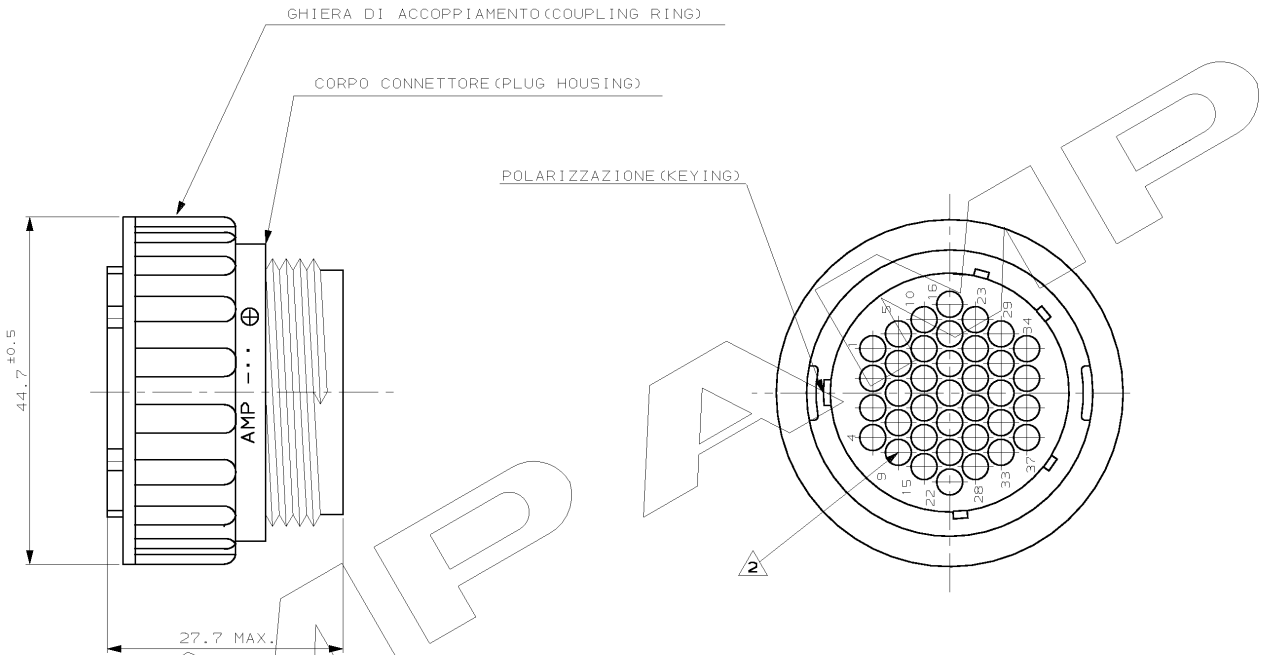


1 2 3 4 5 6 7 8

SCALA NON IMPEDIMENTIVA (DO NOT SCALE)	<b>METRIC</b>	PROIEZIONE EUROPEA (EUROPEAN PROJECTION)
DIMENSIONI IN (DIMENSIONS IN)		



**NOTE (NOTES)**

- MATERIALE (MATL.): TERMOPLASTICO COLORE NERO (THERMOPLASTIC, BLACK COLOR).
- OGNI CAVITA' E IDENTIFICATA DAL NUMERO POSTO SIA SUL FRONTE CHE SUL RETRO DEL CONNETTORE. (CONTACT CAVITIES IDENTIFIED BY CHARACTERS) (ON FRONT AND REAR FACES OF CONNECTOR.)
- QUESTO CONNETTORE E' APPROVATO CON FILE N.E28476 E CERTIFICATO CON FILE N.LR7189A-259 (THIS CONNECTOR IS RECOGNIZED BY FILE N.E28476 AND CERTIFIED BY FILE N.LR7189A-259)

IL DISEGNO INDICA IL P.N. 182923-1  
(P.N. 182923-1 A5 SHOWN)

CUSTOMER DRAWING FOR REFERENCE ONLY		DISEGNO PER CLIENTE SOLO PER RIFERIMENTO	
THIS DRAWING IS UNPUBLISHED		RELEASE FOR PUBLICATION 1991	
© COPYRIGHT 19 BY AMP INCORPORATED, HARRISBURG, PA. ALL INTERNATIONAL RIGHT RESERVED. AMP PRODUCTS MAY BE COVERED BY U.S. AND FOREIGN PATENT AND/OR PATENT PENDING			
TOLLERANZE: SE NON DIVERSAMENTE SPECIFICATO		DIAM. ISOLANTE (INS. DIA. RANGE)	RANGO FILO (WIRE RANGE)
(TOLERANCES, UNLESS OTHERWISE SPECIFIED)		-	-
± 0.3		<b>AMP AMP ITALIA S.p.A.</b> Corso F.lli Casati, 15 COLLENO (TORINO)	
C2	UPDATED PRODUCT DESCRIPTION FOR ET00-0182-02	D.C. 2080/2085	ANGOLI (ANGLES)
C1	REVISED ET00-0123-99	F.S. 01-99	± 2°
C	REVISED PER ECN-13230	C.C. 95-93	DIS. (DR.)
B	REVISED CAVITY ID, N° POSITION ECN-13205	C.C. 01-93	22 JUNE 91 C. CORDOLA
A	RELEASED	C.C. 10-93	CONT. 05-MAY 1993 (CHK) C. MARTINS
REV. (REV.)	REVISIONI (REVISION RECORD)	DIS. DATA (DR. DATE)	DESCRIZIONE (DESCRIPTION)
			C.P.C. PLUG ASS'Y FOR SOCKET CONTACTS, SIZE 23-37, STD. SEX
		APP. (APP.)	LOC. SIZE (LOC. NO)
			I A3 C-182923
			NUMERO (DWG NO)
			C2
			REV. (REV.)
			1
			FOLIO (SHEET)
			1 OF 1

DISTRIBUZIONE  
(PRINT DIST.)

AMP-11-7522-1-9-82

1 2 3 4 5 6 7 8