

4

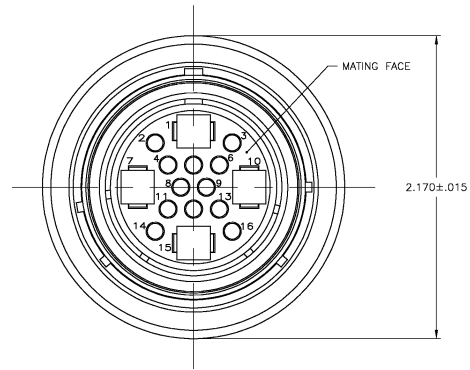
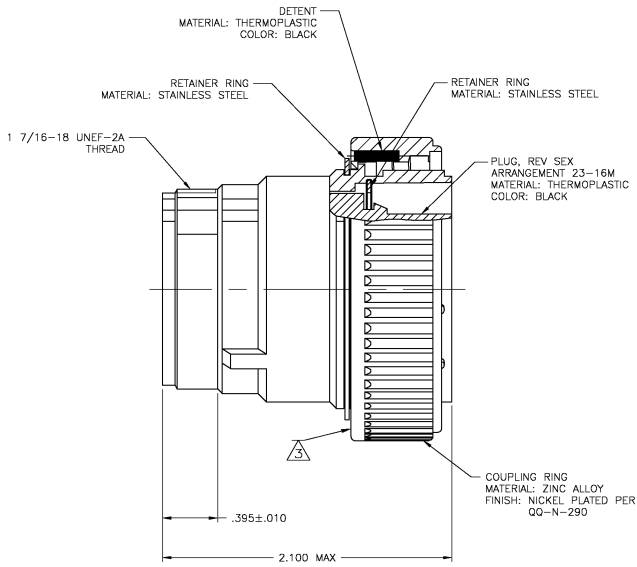
3

2

1

THIS DRAWING IS UNPUBLISHED. RELEASED FOR PUBLICATION  
 COPYRIGHT BY TYCO ELECTRONICS CORPORATION. ALL RIGHTS RESERVED.

| LOC | DIST | REVISIONS                |         |     |       |
|-----|------|--------------------------|---------|-----|-------|
| P   | LTR  | DESCRIPTION              | DATE    | OWN | APP'D |
| 0   |      | REVISED PER 0238-0619-04 | 7/16/04 | SS  | SH    |



NOTES:

- THIS CONNECTOR ACCEPTS (12) MULTIMATE PIN CONTACTS AND (4) TYPE XII MALE CONTACTS.
  - RECEPTACLE MATES WITH 1776088-1.
- AMP PART NUMBER AND DATE CODE TO BE LOCATED ON TOP SURFACE OF COUPLING RING.

1776089-1  
 PART NO.

|   |  |  |   |
|---|--|--|---|
| THIS DRAWING IS A CONTROLLED DOCUMENT.                |  | DWG: S SCHLEDEL 5/28/04<br>OK: S SCHLEDEL 5/25/04<br>APP'D: S SCHLEDEL 5/25/04<br>PROJECT SPEC: S HEADER<br>APPLICATION SPEC: ---<br>HEIGHT: --- | <br>Tyco Electronics Corporation<br>Harrisburg, Pa 17105-3608 |
| DIMENSIONS: INCHES<br><br>DIMENSIONS: MILLIMETERS<br> | 0 PLG ± --<br>1 PLG ± --<br>2 PLG ± --<br>3 PLG ± --<br>4 PLG ± --<br>ANGLES ± --<br>FINISH -- | SPEC: A2<br>CASE CODE: 00779<br>DRAWING NO: 1776089<br>RESTRICTED TO: ---  | CUSTOMER DRAWING<br>SCALE: 2:1 SHEET 1 of 1 REV 0             |

AMP 1421-9 REV 31MAR2000

1776089

B

A