

4

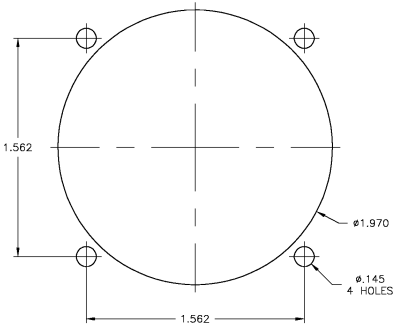
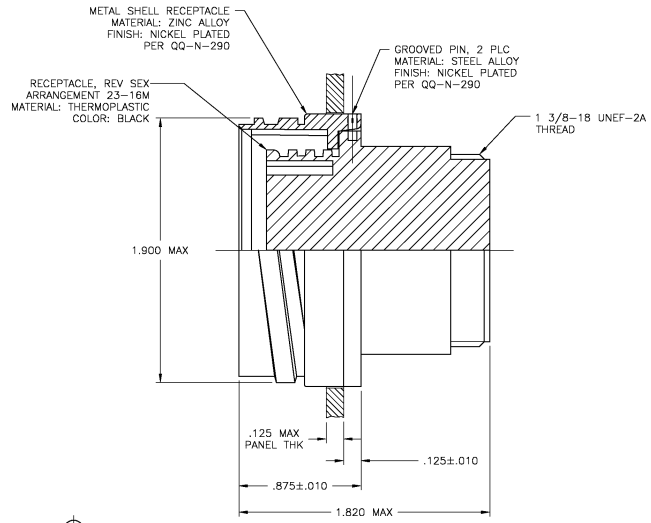
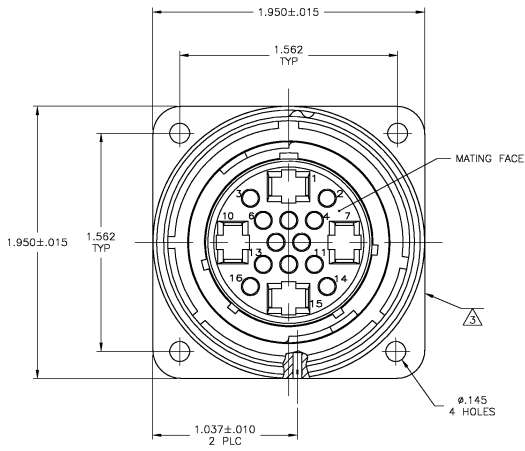
3

2

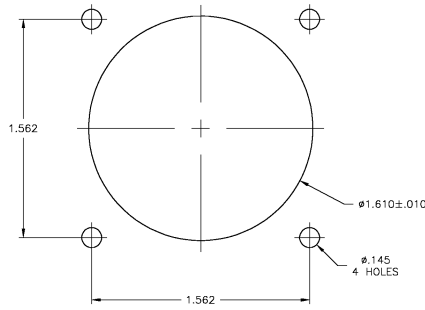
1

THIS DRAWING IS UNPUBLISHED. RELEASED FOR PUBLICATION  
 © COPYRIGHT BY TYCO ELECTRONICS CORPORATION. ALL RIGHTS RESERVED.

LOC		DISTR		REVISIONS			
P	LTR	DESCRIPTION	DATE	BY	APP'D	DATE	BY
0		REVISED PER 0238-0619-04	7/16/04	SS	SH		



REAR MOUNTED PANEL CUTOUT



FRONT MOUNTED PANEL CUTOUT

NOTES:

1. THIS CONNECTOR ACCEPTS (12) MULTIMATE SOCKET CONTACTS AND (4) TYPE XII FEMALE CONTACTS.
  2. RECEPTACLE MATES WITH 1776089-1.
- ⚠ AMP PART NUMBER AND DATE CODE TO BE LOCATED ON EDGE OF FLANGE.

1776088-1  
 PART NUMBER

THIS DRAWING IS A CONTROLLED DOCUMENT.		DRW: S SCHLEGELE 5/25/04	Tyco Electronics Corporation Harrisburg, Pa 17105-3608
DIMENSIONS: INCHES		CHK: S HEADER 5/25/04	
TO DIMENSIONS UNLESS OTHERWISE SPECIFIED.		APP'D: S HEADER 5/25/04	RECEPTACLE ASSEMBLY, REV SEX, SERIES 1, 28-16, CMC
MATERIAL: -		FINISH: -	RESTRICTED TO
APPROVALS:		DATE: 5/25/04	SCALE: 2:1
CUSTOMER DRAWING		SHEET: 1 OF 1	REV: 0

AMP 1421-9 REV 31 MAR 2000

1776088

A