

4

3

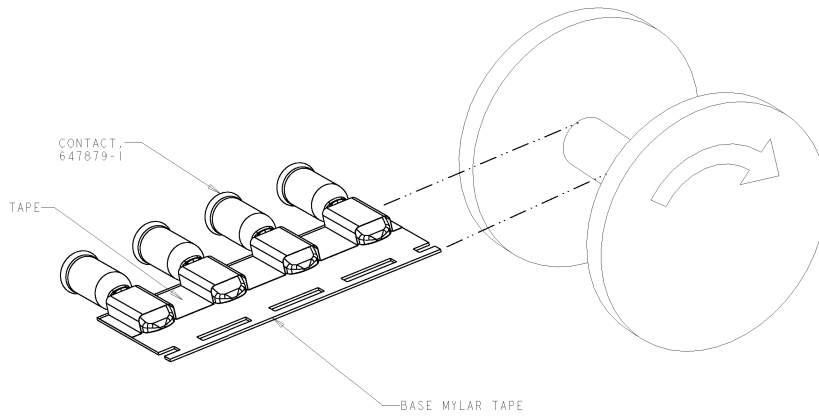
2

1

THIS DRAWING IS UNPUBLISHED. RELEASED FOR PUBLICATION 2/9  
 (C) COPYRIGHT 20 BY TYCO ELECTRONICS CORPORATION. ALL RIGHTS RESERVED.

REV	DATE	BY	CHKD	DESCRIPTION
0	07AUG2003	JE	JE	REVISED PER 0638-0200-03

1. VERIFICATION TEST SPEC. 502-1136.
2. FOR USE WITH AMP-TAPETRONIC™ MACHINE 68250-1 (DIE 68313-1 REQUIRED).



647756-1  
 PART NUMBER



<small>TYCO ELECTRONICS CORPORATION</small> <small>TYCO ELECTRONICS CORPORATION</small>		DWN: 07AUG2003 BY: WHITAKER	<b>tyco</b> <b>Electronics</b> <small>Tyco Electronics</small> <small>Harrisburg, PA 17105-3400</small>
<small>TYCO ELECTRONICS CORPORATION</small> <small>TYCO ELECTRONICS CORPORATION</small>		CBY: ELLIS 07AUG2003 APD: ELLIS 07AUG2003	CONTACT, 10 - 12 AWG, TAPE AND REEL, AMP POWER SERIES 50
DIMENSIONS: mm (INCHES)		PRODUCT SPEC: APPLICATION SPEC: WEIGHT:	SIZE: A2 CASE CODE: 100779 DRAWING NO: 647756
MATERIAL: COPPER		FINISH: SILVER	RESTRICTED TO: - SCALE: 2:1 SHEET: 1 OF 1 REV: 0

AMP 1471-8 REV 01MAR2000  
 PRO-ENGINEER DRAWING