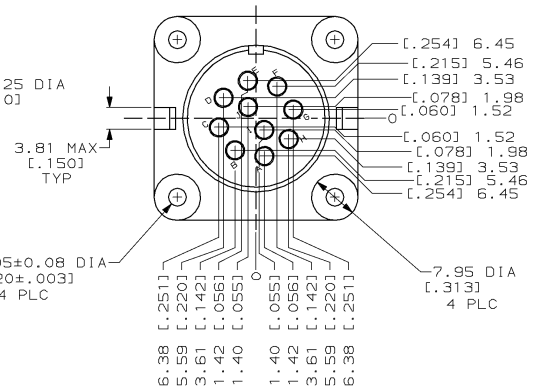
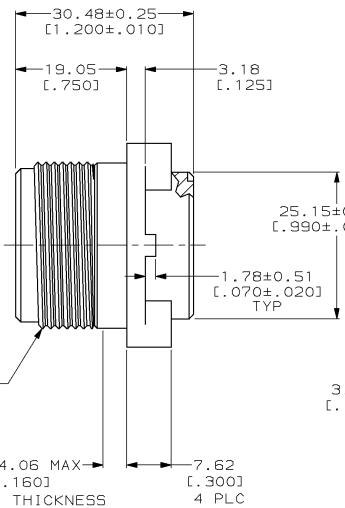
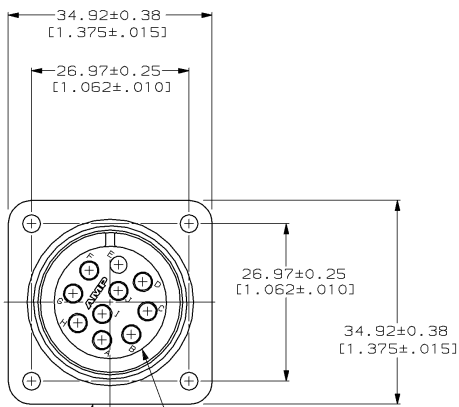


DRAWING MADE IN THIRD ANGLE PROJECTION
 THIS DRAWING IS UNPUBLISHED. RELEASED FOR PUBLICATION
 © COPYRIGHT 19 BY AMP INCORPORATED. ALL INTERNATIONAL RIGHTS RESERVED.

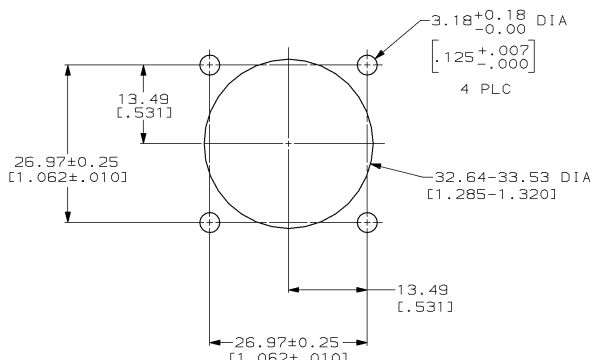
LOC	DIST	P	F	ZONE	LTR	DESCRIPTION	DATE	APPD
BD	35					0 RLSE, WAS 91-5029-1, NPR 3371	4-91	KB
						A REV PER ECN B05278	08/13/91	KB
						B REV PER ECN B05637	05/28/92	KB
						C REV PER EC 0020-155-94	03/16/94	AF
						D REV PER EC 0020-0740-94	07/13/94	AF
						E REV PER EC 0020-0657-95	06/27/95	RB



CAVITY IDENTIFICATION LETTERS BOTH SIDES

1 1/8-18 UNEF-2A
 PD 27.622 MAX [1.0875]
 MAJOR DIA 28.539 MAX [1.1236]

4.06 MAX [0.160] PANEL THICKNESS
 7.62 [0.300] 4 PLC



PANEL CUTOUT

- 1. AMP PART NO APPEARS ON THIS SURFACE.
- 2. THIS PART ACCEPTS TYPE III+ SOCKET CONTACTS.
- 3. RECEPTACLE MATES WITH PRODUCT DESIGNED TO MIL SPEC 5015.

		213667-1	
		PART NO	
DO NOT SCALE PRINT. UNLESS SPECIFIED DIMENSIONS IN mm [INCHES] TOLERANCES ON: 2 PLC DEC ± 0.13(.005) 3 PLC DEC ± ANGLES ± 1°		AMP Incorporated Harrisburg, PA 17105-3608	
DR 4-29-91 J.McCLINTON		NAME	
CHK 5-2-91 R.STONE		RECEPTACLE HOUSING, 18-10, REVERSE SEX, SQUARE FLANGE, CPC	
APPD 5-2-91 K.BEAVER		DRAWING NO	
MATERIAL POLYAMID, BLACK		213667	
PRODUCT SPEC 108-10024		SHEET 1 OF 1	
FINISH		SIZE	CAGE CODE
APPLICATION SPEC 114-10004		©	00779
WEIGHT		SCALE	2:1

CUSTOMER DRAWING