

4

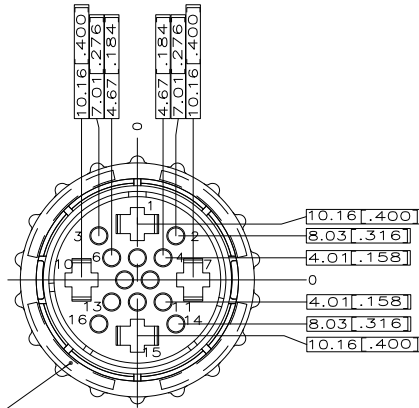
3

2

1

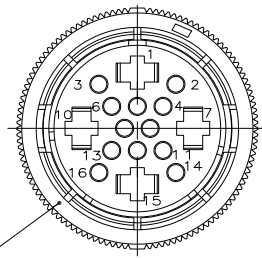
THIS DRAWING IS UNPUBLISHED. RELEASED FOR PUBLICATION. ALL RIGHTS RESERVED.

LOC	DIST	REVISIONS		
F	LN	DESCRIPTION	DATE	BY
FT	4			
	C2	REVISED PER ECO-11-004820	11MAR11	RK HMR



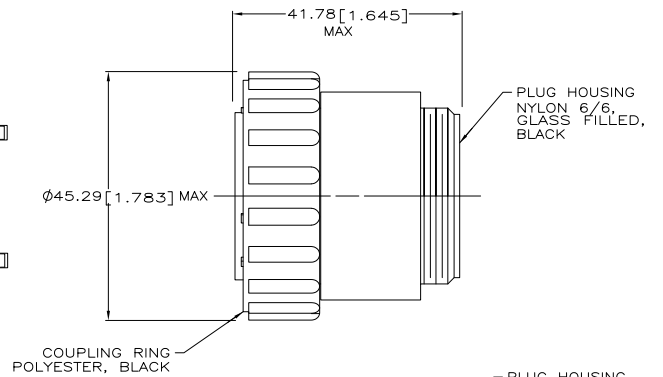
AMP PART NO  
THIS SURFACE

(-1 ONLY)

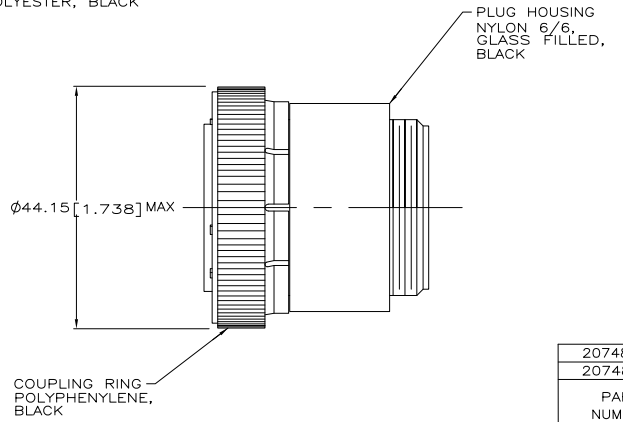


AMP PART NO  
THIS SURFACE

(-2 ONLY)



COUPLING RING  
POLYESTER, BLACK



COUPLING RING  
POLYPHENYLENE,  
BLACK

207485-2
207485-1
PART NUMBER

- WILL ACCEPT (12) MULTIMATE & (4) TYPE XII SOCKET CONTACTS.
- THIS CONNECTOR WILL ACCEPT INSULATION DIAMETERS UP TO .150.
- CONTACT CAVITIES IDENTIFIED BY CHARACTERS ON FRONT AND REAR FACES OF CONNECTOR.

THIS DRAWING IS A CONTROLLED DOCUMENT.		DRN S. RIDGLEY BC 31 JUL 90	TE Connectivity
DIMENSIONS: mm [INCHES]		CHK R. STONE 28 APR 91	
TOLERANCES UNLESS OTHERWISE SPECIFIED:		APPD K. BEAVER 03 APR 91	PLUG ASSEMBLY, SHELL SIZE 23, STANDARD SEX, SERIES 4, CPC
0 PLC ± .01		PRODUCT SPEC 108-10024	
1 PLC ± .01		APPLICATION SPEC	RESTRICTED TO
2 PLC ± .01		WEIGHT	SIZE CASE CODE DRAWING NO
3 PLC ± .01		FINISH	A2 00779 C-207485
4 PLC ± .01		SEE CALLOUT	CUSTOMER DRAWING
ANGLES ± .5			SCALE 2:1 SHEET 1 of 1 REV C2