

4

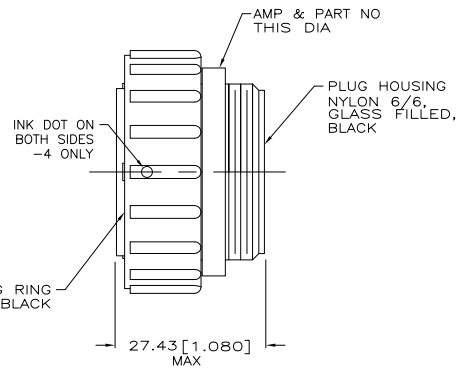
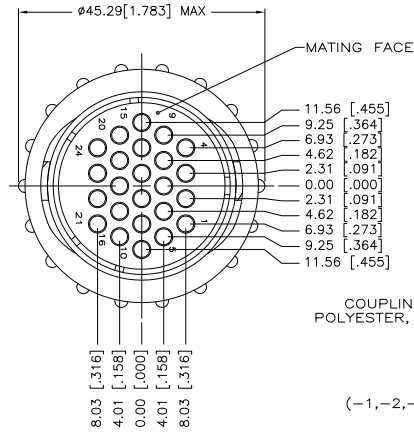
3

2

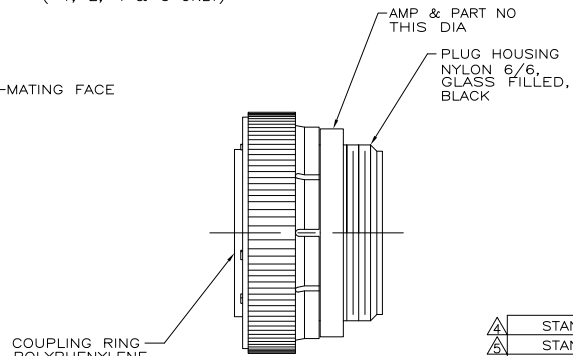
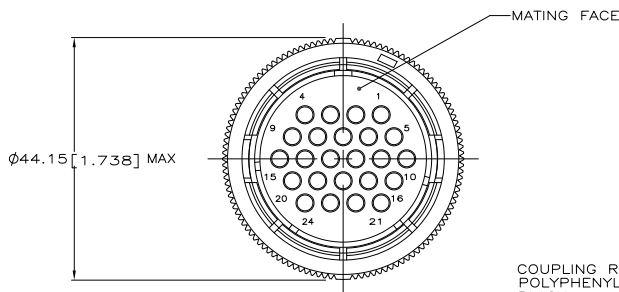
1

THIS DRAWING IS UNPUBLISHED. RELEASED FOR PUBLICATION. ALL RIGHTS RESERVED.

LOC	DIST	REVISIONS		
F	LNK	DESCRIPTION	DATE	BY
FT	0			
	C2	REVISED PER ECO-11-004587	11MAR11	RK HMR



(-1,-2,-4 & -5 ONLY)



(-3 ONLY)

STANDARD	206837-5
STANDARD	206837-4
STANDARD	206837-3
SMALL PACK	206837-2
STANDARD	206837-1
PACKAGING	PART NUMBER

- CONNECTOR WILL ACCEPT (24) MULTIMATE SOCKET CONTACTS.
- MAXIMUM INSULATION NOT TO EXCEED .150 DIA.
- CONTACT CAVITIES IDENTIFIED BY CHARACTERS ON FRONT AND REAR FACE OF CONNECTOR.

- WHITE DOT NEAR POSITION 1 ON WIRE ENTRY FACE.
- PRELIMINARY PART NUMBER.

THIS DRAWING IS A CONTROLLED DOCUMENT. DIM S. RIDGLEY BC 31 JUL 90
CHK. R. STONE 28 APR 91
APPD. K. BEAVER 03 APR 91

DIMENSIONS: mm [INCHES]
TOLERANCES UNLESS OTHERWISE SPECIFIED:
0 PLG ± .010
1 PLG ± .010
2 PLG ± .010
3 PLG ± .010
4 PLG ± .010
ANGLES ± .5°

MATERIAL: SEE CALLOUT
FINISH: -

PRODUCT SPEC: 108-10024
APPLICATION SPEC: -
WEIGHT: -

CUSTOMER DRAWING

TE Connectivity
PLUG ASSEMBLY, SHELL SIZE 23, STANDARD SEX, SERIES 1, CPC

SIZE: A2
CASE CODE: 00779
DRAWING NO: C=206837
RESTRICTED TO: -

SCALE: 2:1
SHEET: 1 of 1
REV: G2