

4

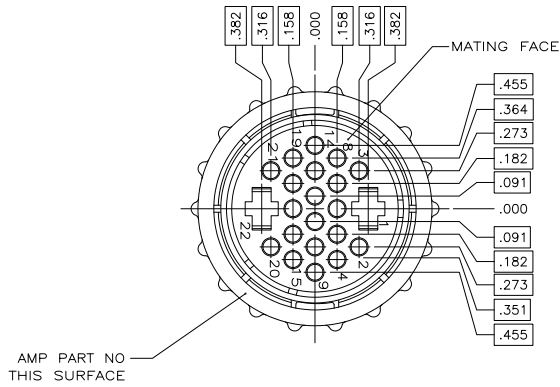
3

2

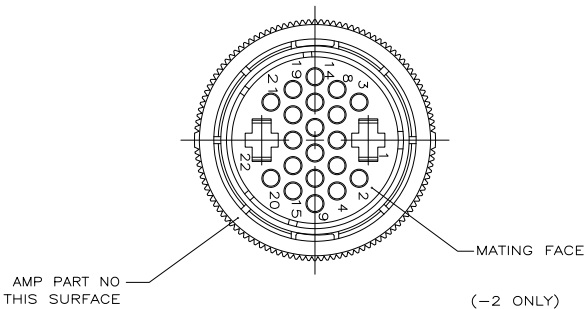
1

THIS DRAWING IS UNPUBLISHED. RELEASED FOR PUBLICATION. ALL RIGHTS RESERVED.

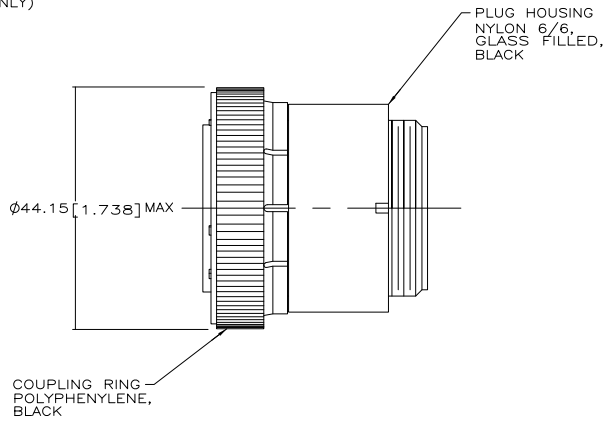
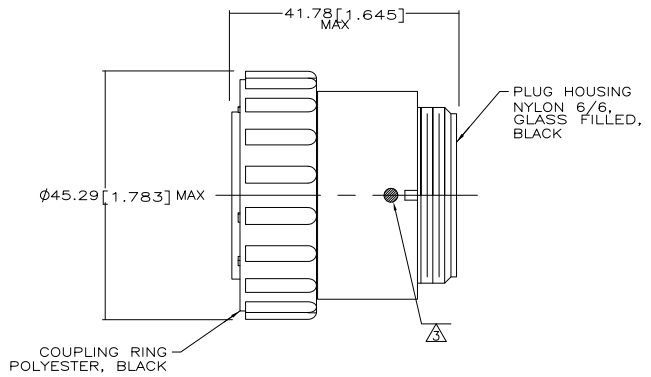
LOC	DIST	REVISIONS					
FT	0	P	LTR	DESCRIPTION	DATE	BY	APPD
		G1		REVISED PER ECO-11-004820	11MAR11	RK	HMR



(-1 AND -3 ONLY)



(-2 ONLY)



NOTES:

- CONTACT CAVITIES IDENTIFIED BY CHARACTERS ON FRONT AND REAR FACES OF CONNECTOR.
 - WILL ACCEPT (20) MULTIMATE & (2) TYPE XII SOCKET CONTACTS.
- ⚠ WHITE DOT ONLY APPEARS ON 206612-3 ASSEMBLY.
- ⚠ PRELIMINARY PART NUMBER.

⚠	206612-3
	206612-2
	206612-1
	PART NUMBER

THIS DRAWING IS A CONTROLLED DOCUMENT.		DRN: S. RIDGLEY 31 JUL 90	TE Connectivity
DIMENSIONS: INCHES		OK: R. STONE 26 APR 91	
TOLERANCES UNLESS OTHERWISE SPECIFIED:		APPD: K. BRAUER 03 APR 91	PLUG ASSEMBLY, SHELL SIZE 23, STANDARD SEX, SERIES 4, CPC
Ø PLC ± .010		PRODUCT SPEC: 108-10024	
MATERIAL: SEE CALLOUT		APPLICATION SPEC: -	RESTRICTED TO: -
FINISH: -		WEIGHT: -	SIZE: A2
		CAGE CODE: 00779	DRAWING NO: C-206612
		CUSTOMER DRAWING	SCALE: 2:1 SHEET: 1 of 1 REV: G1