

4

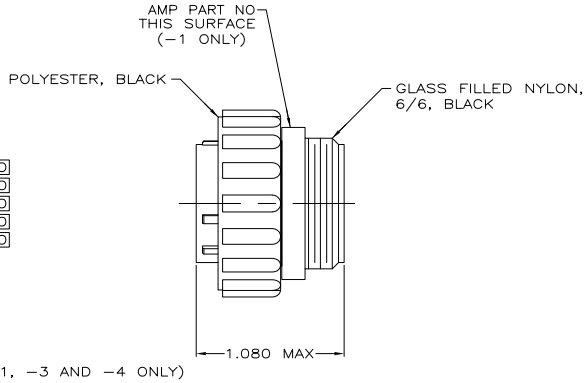
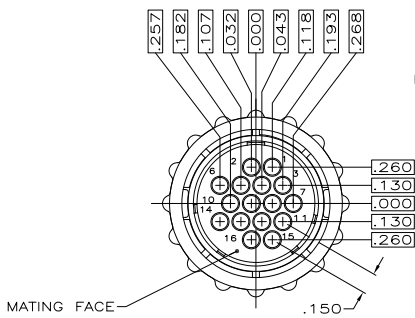
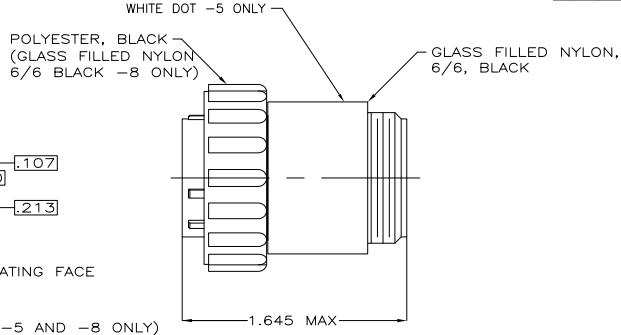
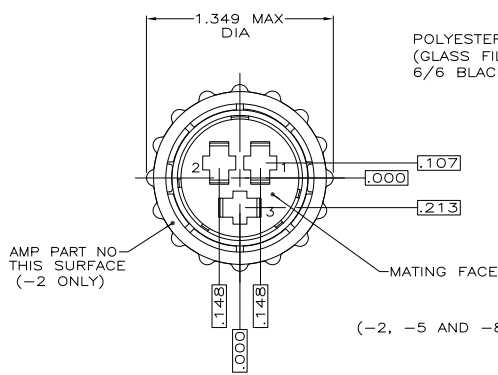
3

2

1

THIS DRAWING IS UNPUBLISHED. RELEASED FOR PUBLICATION
 © COPYRIGHT - By - ALL RIGHTS RESERVED.

LOC	DIST	REVISIONS			
P	LTR	DESCRIPTION	DATE	BY	APPD
FT	0				
	K2	REVISED PER ECO-11-012039	14JUN11	HMR	DR



NOTES:

- CONTACT CAVITIES IDENTIFIED BY CHARACTERS ON FRONT AND REAR FACES OF CONNECTOR.
- PART NUMBER 206037-1, -3 AND -4 WILL ACCEPT (16) MULTIMATE SOCKET CONTACTS.
- PART NUMBER 206037-2, -5 AND -8 WILL ACCEPT (3) TYPE XII SOCKET CONTACTS.
- PRELIMINARY PART NUMBER.
- UL RATED UV(f1) MATERIAL.

5	206037-8
4	206037-5
2	206037-4
2	206037-3
2	206037-2
2	206037-1
PART NUMBER	

DIMENSIONS:		OTHER PARTS NUMBER:		PRODUCT SPEC:		APPLICATION SPEC:		SIZE		CAGE CODE		DRAWING NO		RESTRICTED TO	
INCHES		SEE NOTES		-		-		A2		00779		C-206037		-	
MATERIAL		FINISH		-		-		CUSTOMER DRAWING		SCALE		SHEET		REV	
SEE NOTES		-		-		-		2:1		1 of 1		K2			

1471-9 (3/11)

206037

A