

4

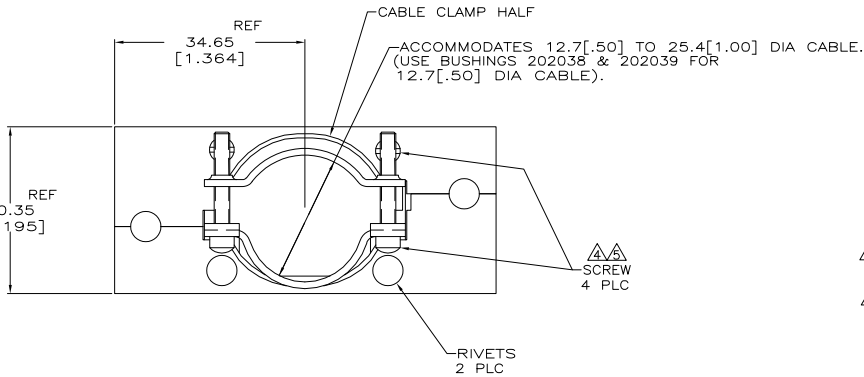
3

2

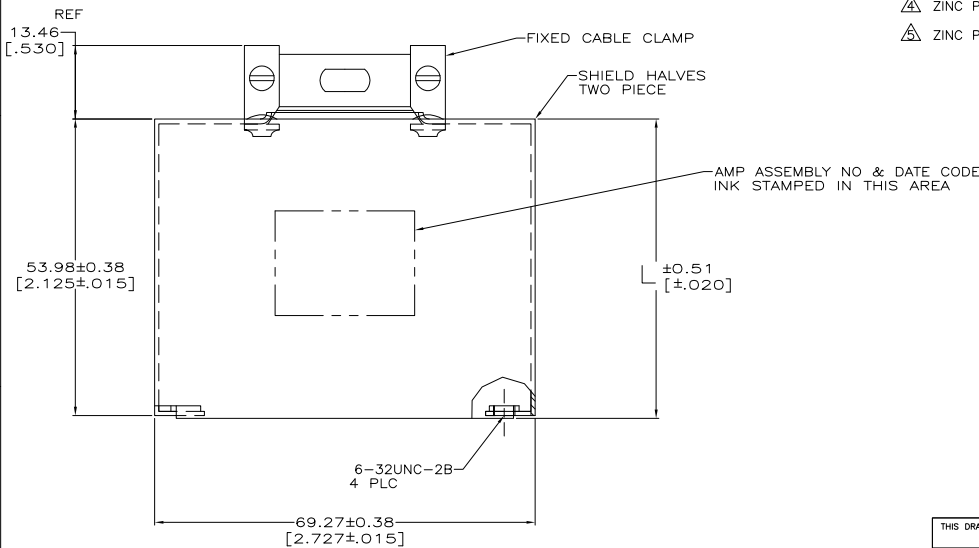
1

THIS DRAWING IS UNPUBLISHED. RELEASED FOR PUBLICATION
 COPYRIGHT BY TYCO ELECTRONICS CORPORATION. ALL RIGHTS RESERVED.

LOC	DIST	REVISIONS			
F	LTR	DESCRIPTION	DATE	BY	APPD
J1		REVISED PER ECO-07-000274	1/5/07	SS	GS



- △ SHIELD HALF, TWO PIECE, CABLE CLAMP HALF, RIVET AND SCREW: CARBON STEEL. CABLE CLAMP FIXED: STAINLESS STEEL.
- △ SHIELD HALF, TWO PIECE AND CABLE CLAMP HALF: 5.08um [.000200] MIN NICKEL. SCREW: 3.81um [.000150] MIN ZINC. RIVET: NICKEL.
- 3. TWO PVC SLEEVES FOR INSULATION OF JACKSCREWS TO BE PACKAGED WITH ASSEMBLY.
- △ ZINC PLATING WITH HEXAVALENT CHROMATE COATING.
- △ ZINC PLATING WITHOUT HEXAVALENT CHROMATE COATING.



△	71.04 [2.797]	202713-7
△	53.98 [2.125]	202713-6
OBSOLETE	-	202713-5
OBSOLETE	-	202713-4
OBSOLETE	-	202713-3
△	71.04 [2.797]	202713-2
△	53.98 [2.125]	202713-1
SCREW FINISH	L	PART NUMBER

DIMENSIONS:		TOLERANCES UNLESS OTHERWISE SPECIFIED:		DATE		DRAWN BY		CHECKED BY		APPROVED BY	
mm		0 PLC	± .00	09/28/95	C. OBERMAN	6-1-95	S. STONE	Tyco Electronics Corporation Harrisburg, PA 17105-3608			
mm		1 PLC	± .01	6-5-95	G. STEINHÄLER			TWO PIECE SHIELD ASSEMBLY, 75 POSITION, M SERIES			
mm		2 PLC	± .02					SIZE: A2 CASE CODE: C=202713			
mm		3 PLC	± .03					RESTRICTED TO			
mm		4 PLC	± .04					CUSTOMER DRAWING			
mm		ANGLES	± .05					SCALE: 2:1 SHEET: 1 of 1 REV: J1			
mm		FINISH	± .05								

AMP 1471-9 REV 31MM2000

202713

B

A