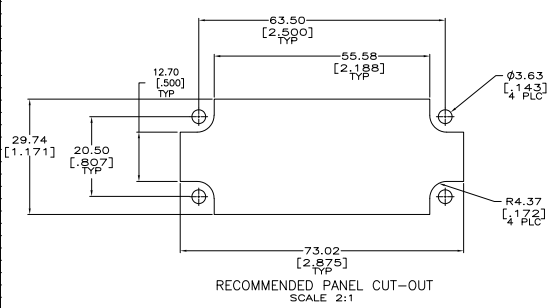
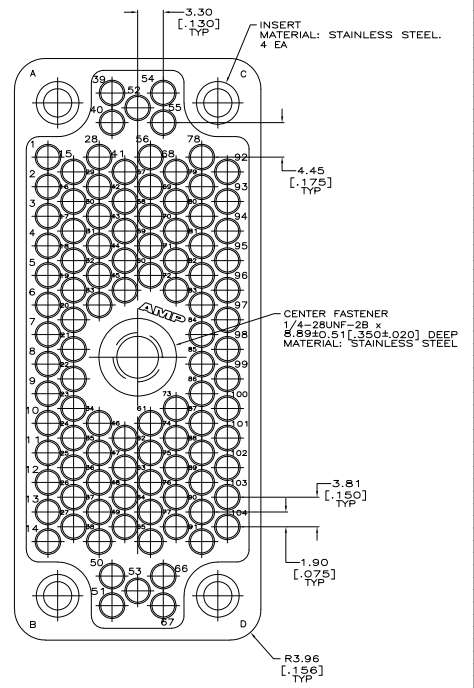
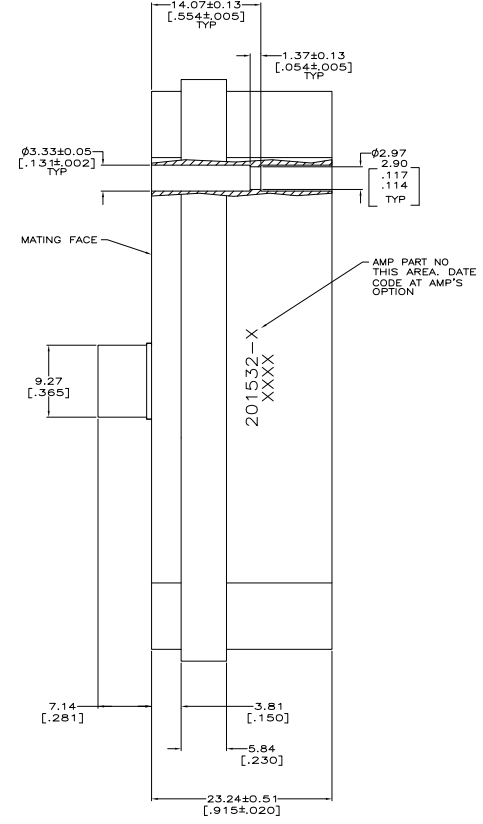
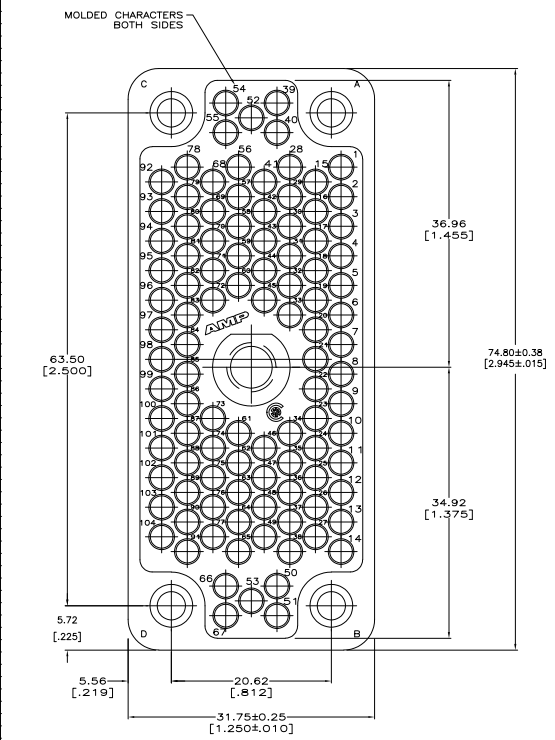


THIS DRAWING IS UNPUBLISHED
 UNLESS INDICATED OTHERWISE
 © 2007 BY TTI ELECTRONICS CORPORATION. ALL RIGHTS RESERVED.

REVISED		DATE	BY	APP'D
0	FT			
1	V	2/23/07	SS	GS



- △ DIALYL PHTHALATE PER MIL-M-14-F, TYPE SDG-F, BLUE.
- △ PHENOLIC PER MIL-M-14-F, TYPE MFH, BLACK.
- 3. ACCOMMODATES TYPE II OR TYPE III SIZE #16 CONTACTS.

	201532-4
	201532-2
MATERIAL	PART NUMBER

THIS DRAWING IS A CONTROLLED DOCUMENT.		DATE REVISIONED: 28 JUN 04	BY: [Signature]	DATE: 28 JUN 04	REVISION: 1
DRAWN BY: [Signature]		DATE: 13 SEP 03	BY: [Signature]	DATE: 13 SEP 03	REVISION: 1
CHECKED BY: [Signature]		DATE: 28 JUN 04	BY: [Signature]	DATE: 28 JUN 04	REVISION: 1
APPROVED BY: [Signature]		DATE: 28 JUN 04	BY: [Signature]	DATE: 28 JUN 04	REVISION: 1
TITLES: CUSTOMER DRAWING		SIZE: A1	DATE: 00779	DRAWING NO: 201532	REVISION: 1
SCALE: 4:1		SHEET: 1	TOTAL: 1	OF: 1	REV: V