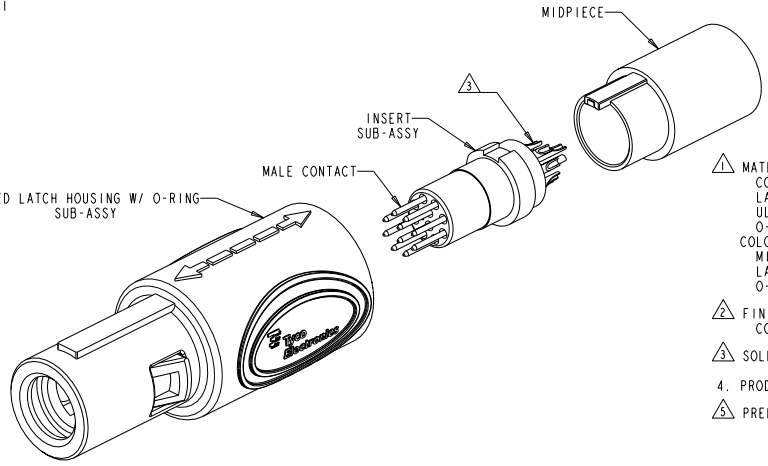
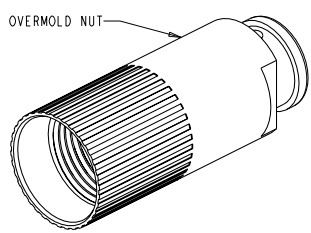
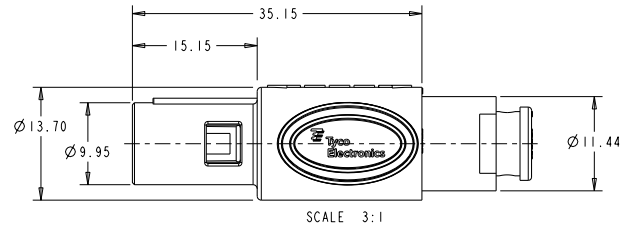
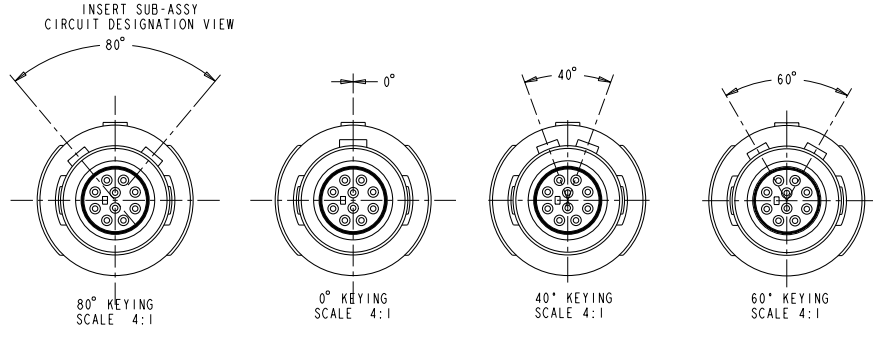
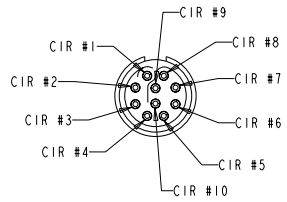


THIS DRAWING IS UNPUBLISHED. RELEASED FOR PUBLICATION
 BY TYCO ELECTRONICS CORPORATION. ALL RIGHTS RESERVED.

REV	DATE	BY	CHK	APPV
B3	06SEP2006	MMR	DR	
B4	01APR2009	MF	DR	



- △ MATERIAL:
 CONTACT: BRASS
 LATCH HOUSING, INSERT, MIDPIECE, NUT:
 UL 94V-0 RATED THERMOPLASTIC
 O-RING: ELASTOMER
 COLOR:
 MIDPIECE AND INSERT: GRAY
 LATCH HOUSING AND OVERMOLD NUT: SEE TABLE
- △ FINISH:
 CONTACT, 0.75µm MIN. GOLD OVER NICKEL
- △ SOLDER TERMINATION CONTACT, 28 AWG WIRE MAX.
- 4. PRODUCT IS SUPPLIED UNASSEMBLED
- △ PRELIMINARY PART NUMBER.



LATCH HOUSING AND NUT COLOR	KEYING	PART NO.
GRAY	60°	1877852-8
BLACK	60°	1877852-7
GRAY	40°	1877852-6
BLACK	40°	1877852-5
GRAY	80°	1877852-4
GRAY	0°	1877852-3
BLACK	80°	1877852-2
BLACK	0°	1877852-1

DIMENSIONS: mm 0 PLC ±0.13 1 PLC ±0.08 2 PLC ±0.08 3 PLC ±0.08 4 PLC ±0.08 ANGLES ±1° FINISH -		PRODUCT SPEC 108-2249 APPLICATION SPEC 114-13184 WEIGHT - CUSTOMER DRAWING	DATE 09MAR2006 CHK MILLER DR BREKOSKY NAME TITLE CASE CODE DRAWING NO 100779 1877852	Tyco Electronics Harrisburg, PA 17105-3608 10 POSITION OVERMOLD CABLE NUT STRAIGHT PLUG ASSEMBLY RESTRICTED TO SCALE 5:1 SHEET 1 OF 1 REV B4
--	--	---	--	--