

4

3

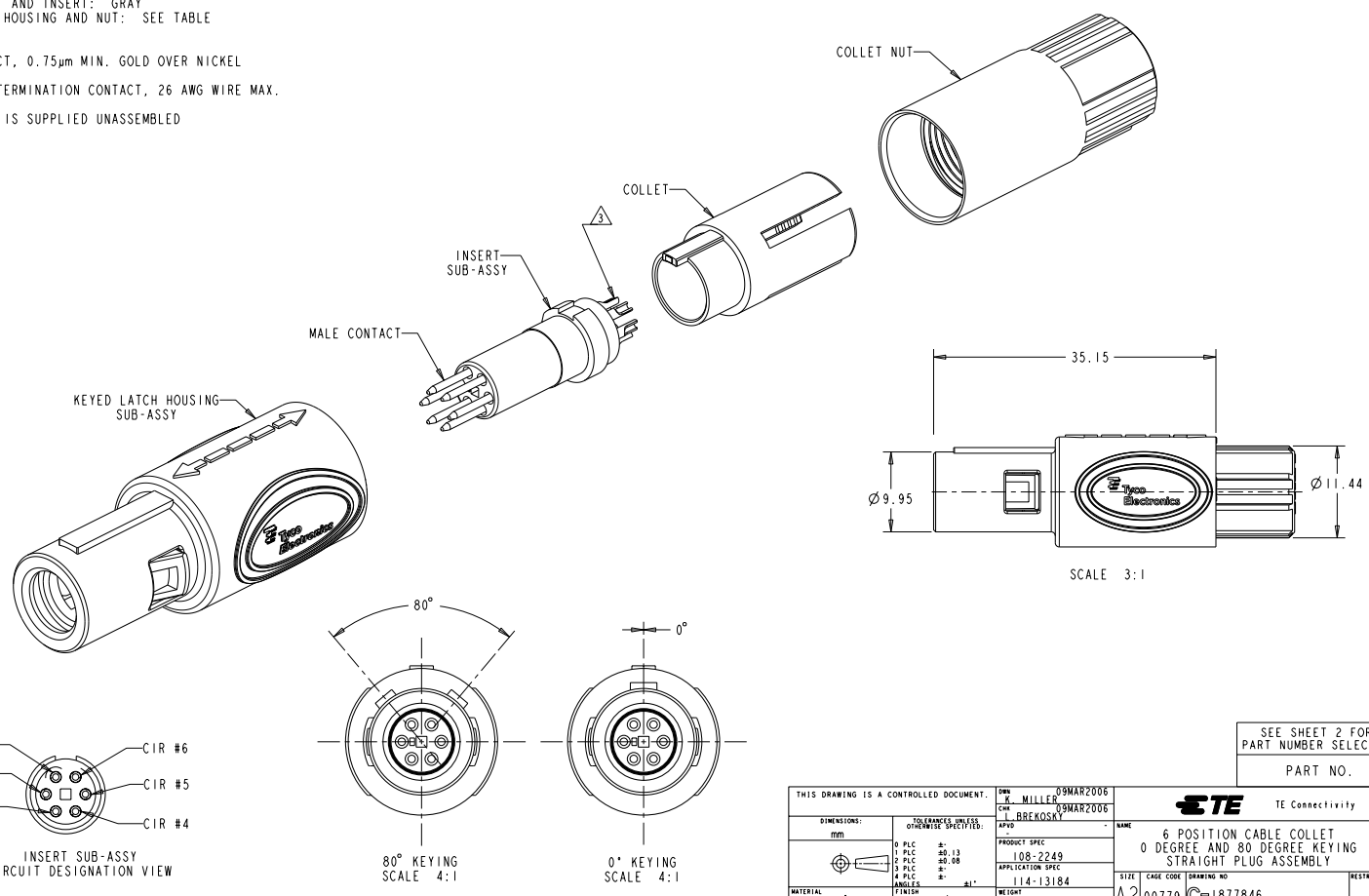
2

1

THIS DRAWING IS UNPUBLISHED. RELEASED FOR PUBLICATION. ALL RIGHTS RESERVED.

| REV | DATE | BY | CHK | APPROV |
|-----|-----------|----|-----|--------|
| B3 | 12MAR2011 | AK | HMA | |

- MATERIAL:**
CONTACT: BRASS
LATCH HOUSING, INSERT, COLLET, COLLET NUT:
UL 94V-0 RATED THERMOPLASTIC
COLOR:
COLLET AND INSERT: GRAY
LATCH HOUSING AND NUT: SEE TABLE
- FINISH:**
CONTACT, 0.75µm MIN. GOLD OVER NICKEL
- SOLDER TERMINATION CONTACT, 26 AWG WIRE MAX.**
- 4. PRODUCT IS SUPPLIED UNASSEMBLED



SEE SHEET 2 FOR PART NUMBER SELECTION
PART NO.

| | | | |
|--|--|-----------------------------|--|
| THIS DRAWING IS A CONTROLLED DOCUMENT. | | DATE: 09MAR2006 | TE Connectivity |
| DRAWN BY: MILLER | | CHK: BREKOSKY | |
| DIMENSIONS: mm | | PRODUCT SPEC: 108-2249 | 6 POSITION CABLE COLLET 0 DEGREE AND 80 DEGREE KEYING STRAIGHT PLUG ASSEMBLY |
| TOLERANCES UNLESS OTHERWISE SPECIFIED: | | APPLICATION SPEC: 114-13184 | |
| MATERIAL: | | WEIGHT: - | RESTRICTED TO: - |
| FINISH: | | CUSTOMER DRAWING | SCALE: 4:1 SHEET 1 OF 3 REV B3 |

4

3

2

1

THIS DRAWING IS UNPUBLISHED. RELEASED FOR PUBLICATION. ALL RIGHTS RESERVED.

LOC AD DIST 00

| REVISIONS | | | | |
|-----------|----|-------------|------|----|
| P | LY | DESCRIPTION | DATE | BY |
| - | - | SEE SHEET 1 | - | - |

| | | | | |
|-------------------------|------------------|---------------------|--------|-------------|
| Ø 2.7-Ø 3.9 | BLUE | GRAY | 80° | 7-1877846-2 |
| Ø 4.0-Ø 5.2 | BLUE | GRAY | 80° | 7-1877846-1 |
| Ø 5.3-Ø 6.5 | BLUE | GRAY | 80° | 7-1877846-0 |
| Ø 2.7-Ø 3.9 | BLUE | GRAY | 0° | 6-1877846-9 |
| Ø 4.0-Ø 5.2 | BLUE | GRAY | 0° | 6-1877846-8 |
| Ø 5.3-Ø 6.5 | BLUE | GRAY | 0° | 6-1877846-7 |
| Ø 2.7-Ø 3.9 | BLUE | BLACK | 80° | 6-1877846-6 |
| Ø 4.0-Ø 5.2 | BLUE | BLACK | 80° | 6-1877846-5 |
| Ø 5.3-Ø 6.5 | BLUE | BLACK | 80° | 6-1877846-4 |
| Ø 2.7-Ø 3.9 | BLUE | BLACK | 0° | 6-1877846-3 |
| Ø 4.0-Ø 5.2 | BLUE | BLACK | 0° | 6-1877846-2 |
| Ø 5.3-Ø 6.5 | BLUE | BLACK | 0° | 6-1877846-1 |
| Ø 2.7-Ø 3.9 | GREEN | GRAY | 80° | 6-1877846-0 |
| Ø 4.0-Ø 5.2 | GREEN | GRAY | 80° | 5-1877846-9 |
| Ø 5.3-Ø 6.5 | GREEN | GRAY | 80° | 5-1877846-8 |
| Ø 2.7-Ø 3.9 | GREEN | GRAY | 0° | 5-1877846-7 |
| Ø 4.0-Ø 5.2 | GREEN | GRAY | 0° | 5-1877846-6 |
| Ø 5.3-Ø 6.5 | GREEN | GRAY | 0° | 5-1877846-5 |
| Ø 2.7-Ø 3.9 | GREEN | BLACK | 80° | 5-1877846-4 |
| Ø 4.0-Ø 5.2 | GREEN | BLACK | 80° | 5-1877846-3 |
| Ø 5.3-Ø 6.5 | GREEN | BLACK | 80° | 5-1877846-2 |
| Ø 2.7-Ø 3.9 | GREEN | BLACK | 0° | 5-1877846-1 |
| Ø 4.0-Ø 5.2 | GREEN | BLACK | 0° | 5-1877846-0 |
| Ø 5.3-Ø 6.5 | GREEN | BLACK | 0° | 4-1877846-9 |
| Ø 2.7-Ø 3.9 | YELLOW | GRAY | 80° | 4-1877846-8 |
| Ø 4.0-Ø 5.2 | YELLOW | GRAY | 80° | 4-1877846-7 |
| Ø 5.3-Ø 6.5 | YELLOW | GRAY | 80° | 4-1877846-6 |
| Ø 2.7-Ø 3.9 | YELLOW | GRAY | 0° | 4-1877846-5 |
| Ø 4.0-Ø 5.2 | YELLOW | GRAY | 0° | 4-1877846-4 |
| Ø 5.3-Ø 6.5 | YELLOW | GRAY | 0° | 4-1877846-3 |
| Ø 2.7-Ø 3.9 | YELLOW | BLACK | 80° | 4-1877846-2 |
| Ø 4.0-Ø 5.2 | YELLOW | BLACK | 80° | 4-1877846-1 |
| Ø 5.3-Ø 6.5 | YELLOW | BLACK | 80° | 4-1877846-0 |
| Ø 2.7-Ø 3.9 | YELLOW | BLACK | 0° | 3-1877846-9 |
| Ø 4.0-Ø 5.2 | YELLOW | BLACK | 0° | 3-1877846-8 |
| Ø 5.3-Ø 6.5 | YELLOW | BLACK | 0° | 3-1877846-7 |
| CABLE RANGE | COLLET NUT COLOR | LATCH HOUSING COLOR | KEYING | PART NO. |
| PART NUMBERS 37 THRU 72 | | | | |

| | | | | |
|------------------------|------------------|---------------------|--------|-------------|
| Ø 2.7-Ø 3.9 | WHITE | GRAY | 80° | 3-1877846-6 |
| Ø 4.0-Ø 5.2 | WHITE | GRAY | 80° | 3-1877846-5 |
| Ø 5.3-Ø 6.5 | WHITE | GRAY | 80° | 3-1877846-4 |
| Ø 2.7-Ø 3.9 | WHITE | GRAY | 0° | 3-1877846-3 |
| Ø 4.0-Ø 5.2 | WHITE | GRAY | 0° | 3-1877846-2 |
| Ø 5.3-Ø 6.5 | WHITE | GRAY | 0° | 3-1877846-1 |
| Ø 2.7-Ø 3.9 | WHITE | BLACK | 80° | 3-1877846-0 |
| Ø 4.0-Ø 5.2 | WHITE | BLACK | 80° | 2-1877846-9 |
| Ø 5.3-Ø 6.5 | WHITE | BLACK | 80° | 2-1877846-8 |
| Ø 2.7-Ø 3.9 | WHITE | BLACK | 0° | 2-1877846-7 |
| Ø 4.0-Ø 5.2 | WHITE | BLACK | 0° | 2-1877846-6 |
| Ø 5.3-Ø 6.5 | WHITE | BLACK | 0° | 2-1877846-5 |
| Ø 2.7-Ø 3.9 | RED | GRAY | 80° | 2-1877846-4 |
| Ø 4.0-Ø 5.2 | RED | GRAY | 80° | 2-1877846-3 |
| Ø 5.3-Ø 6.5 | RED | GRAY | 80° | 2-1877846-2 |
| Ø 2.7-Ø 3.9 | RED | GRAY | 0° | 2-1877846-1 |
| Ø 4.0-Ø 5.2 | RED | GRAY | 0° | 2-1877846-0 |
| Ø 5.3-Ø 6.5 | RED | GRAY | 0° | 1-1877846-9 |
| Ø 2.7-Ø 3.9 | RED | BLACK | 80° | 1-1877846-8 |
| Ø 4.0-Ø 5.2 | RED | BLACK | 80° | 1-1877846-7 |
| Ø 5.3-Ø 6.5 | RED | BLACK | 80° | 1-1877846-6 |
| Ø 2.7-Ø 3.9 | RED | BLACK | 0° | 1-1877846-5 |
| Ø 4.0-Ø 5.2 | RED | BLACK | 0° | 1-1877846-4 |
| Ø 5.3-Ø 6.5 | RED | BLACK | 0° | 1-1877846-3 |
| Ø 2.7-Ø 3.9 | GRAY | GRAY | 80° | 1-1877846-2 |
| Ø 4.0-Ø 5.2 | GRAY | GRAY | 80° | 1-1877846-1 |
| Ø 5.3-Ø 6.5 | GRAY | GRAY | 80° | 1-1877846-0 |
| Ø 2.7-Ø 3.9 | GRAY | GRAY | 0° | 1877846-9 |
| Ø 4.0-Ø 5.2 | GRAY | GRAY | 0° | 1877846-8 |
| Ø 5.3-Ø 6.5 | GRAY | GRAY | 0° | 1877846-7 |
| Ø 2.7-Ø 3.9 | BLACK | BLACK | 80° | 1877846-6 |
| Ø 4.0-Ø 5.2 | BLACK | BLACK | 80° | 1877846-5 |
| Ø 5.3-Ø 6.5 | BLACK | BLACK | 80° | 1877846-4 |
| Ø 2.7-Ø 3.9 | BLACK | BLACK | 0° | 1877846-3 |
| Ø 4.0-Ø 5.2 | BLACK | BLACK | 0° | 1877846-2 |
| Ø 5.3-Ø 6.5 | BLACK | BLACK | 0° | 1877846-1 |
| CABLE RANGE | COLLET NUT COLOR | LATCH HOUSING COLOR | KEYING | PART NO. |
| PART NUMBERS 1 THRU 36 | | | | |

THIS DRAWING IS A CONTROLLED DOCUMENT. DWG: W. MILLER 09MAR2006. CHK: L. BREKOSKY 09MAR2006. DATE: 09MAR2006. NAME: L. BREKOSKY

TE TE Connectivity

6 POSITION CABLE COLLET
0 DEGREE AND 80 DEGREE KEYING
STRAIGHT PLUG ASSEMBLY

PRODUCT SPEC: 108-2249
APPLICATION SPEC: 114-13184
SHEET: A2 CASE CODE: 00779 DRAWING NO: 1877846
WEIGHT: -
CUSTOMER DRAWING

RESTRICTED TO: -
SCALE: 4:1 SHEET 2 OF 3 REV: B3

4

3

2

1

THIS DRAWING IS UNPUBLISHED. RELEASED FOR PUBLICATION
 BY - ALL RIGHTS RESERVED.

| LOC | DISP | REVISIONS | | | | | |
|-----|------|-----------|-----|-------------|------|-----|------|
| AD | 00 | P | LYR | DESCRIPTION | DATE | OWN | APPR |
| | | - | | SEE SHEET 1 | - | - | - |
| | | | | | | | |
| | | | | | | | |

| | | | | |
|-------------------------|----------------|---------------------|--------|-------------|
| Ø 2.7-Ø 3.9 | BLACK | GRAY | 80° | 8-1877846-4 |
| Ø 4.0-Ø 5.2 | BLACK | GRAY | 80° | 8-1877846-3 |
| Ø 5.3-Ø 6.5 | BLACK | GRAY | 80° | 8-1877846-2 |
| Ø 2.7-Ø 3.9 | BLACK | GRAY | 0° | 8-1877846-1 |
| Ø 4.0-Ø 5.2 | BLACK | GRAY | 0° | 8-1877846-0 |
| Ø 5.3-Ø 6.5 | BLACK | GRAY | 0° | 7-1877846-9 |
| Ø 2.7-Ø 3.9 | GRAY | BLACK | 80° | 7-1877846-8 |
| Ø 4.0-Ø 5.2 | GRAY | BLACK | 80° | 7-1877846-7 |
| Ø 5.3-Ø 6.5 | GRAY | BLACK | 80° | 7-1877846-6 |
| Ø 2.7-Ø 3.9 | GRAY | BLACK | 0° | 7-1877846-5 |
| Ø 4.0-Ø 5.2 | GRAY | BLACK | 0° | 7-1877846-4 |
| Ø 5.3-Ø 6.5 | GRAY | BLACK | 0° | 7-1877846-3 |
| CABLE RANGE | BACK-NUT COLOR | LATCH HOUSING COLOR | KEYING | PART NO. |
| PART NUMBERS 73 THRU 84 | | | | |

| | | | |
|--|---|-------------------------------|--|
| THIS DRAWING IS A CONTROLLED DOCUMENT. | | OWN M. MILLER 09MAR2006 | |
| DRAWN BY L. BREKOSKY 09MAR2006 | | CHK M. MILLER 09MAR2006 | |
| DIMENSIONS: mm | TO DRAWING'S DIMENSIONS OPTIMISTIC SPECIFICATIONS | PRODUCT SPEC 108-2249 | 6 POSITION CABLE COLLET 0 DEGREE AND 80 DEGREE KEYING STRAIGHT PLUG ASSEMBLY |
| | 0 PLC #0-13 1 PLC #0-13 2 PLC #0-08 3 PLC #0-08 4 PLC #0-08 ANGLES #1* | APPLICATION SPEC 114-13184 | |
| MATERIAL | FINISH | WEIGHT | SHEET CASE CODE DRAWING NO A2 00779 C-1877846 |
| | | CUSTOMER DRAWING | RESTRICTED TO SCALE 4:1 SHEET 3 OF 3 REV B3 |