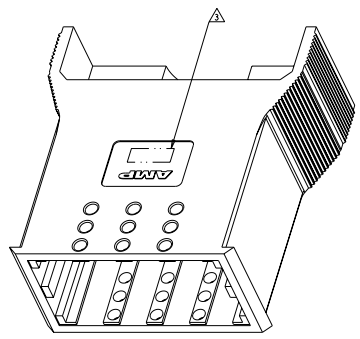
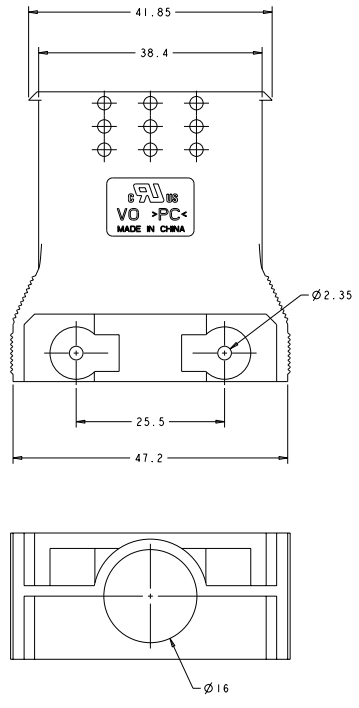
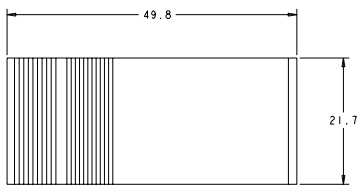


DATE DRAWING TO IMPROVEMENTS RECEIVED FOR PUBLICATION
 02/05/2022 ALL RIGHTS RESERVED

REV		DESCRIPTION		DATE	BY	CHK
B	0	REVISED PER ECO-11-005167				



- 1. MATERIAL: POLYCARBONATE 94-V0
- 2. COLOR: BLACK
- △ TE OR TE CONNECTIVITY LOGO LOCATED APPROX IN THIS AREA.



1604082-1
 PART NUMBER

THIS DRAWING IS A CONTROLLED DOCUMENT.		DATE: 29 JAN 2002	TE Connectivity	
DESIGNED BY: [Signature]	DESIGNED BY: [Signature]	DATE: 29 JAN 2002	HOUSING, 2X4 POWER SERIES PLUG WITHOUT LATCH	
CHECKED BY: [Signature]	CHECKED BY: [Signature]	DATE: 29 JAN 2002	SIZE: CASE CODE: DRAWING NO: 1604082	
APPROVED BY: [Signature]	APPROVED BY: [Signature]	DATE: 29 JAN 2002	REVISION: A 00779 1604082	
MATERIAL: [Blank]		PRICE: [Blank]	CUSTOMER DRAWING	