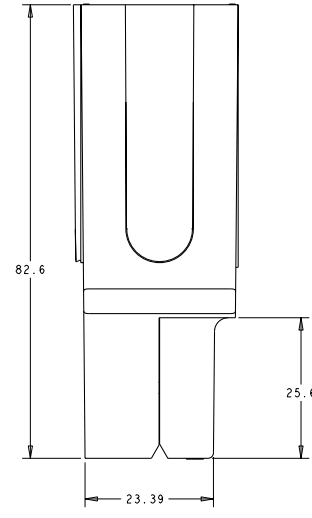
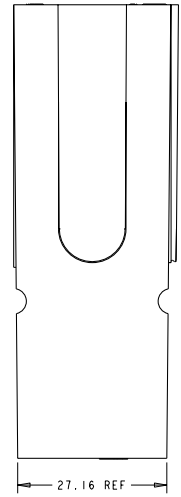
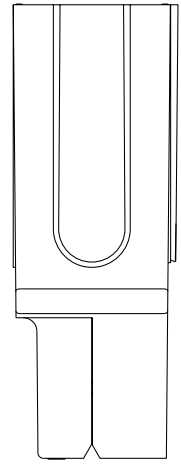
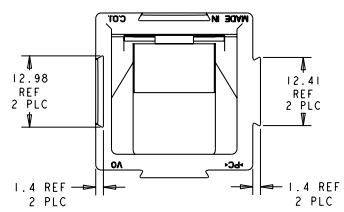
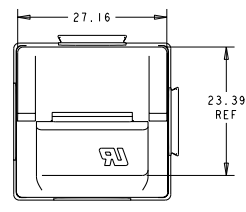
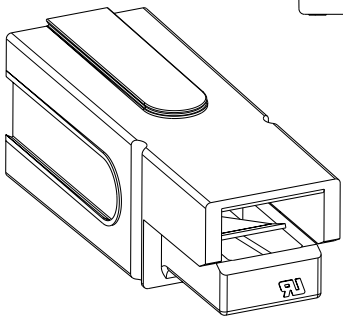


REVOLUTION		REVISIONS		
P	LYR	DESCRIPTION	DATE	BY
01		REVISED PER ECR-10-010379	2004/2010	HMR JR



THIS PRODUCT HAS PASSED VERIFICATION AND AGENCY APPROVALS TESTING AND IS COMPONENT RECOGNIZED PER UL 1977. TYCO ELECTRONICS PRODUCT QUALIFICATION TESTING IS NOT YET COMPLETED.

GREEN	1604062-5
RED	1604062-4
WHITE	1604062-3
BLACK	1604062-2
BLUE	1604062-1
HOUSING COLOR	ASSEMBLY PART NO



METRIC

DIMENSIONS:		DATE: 9SEPT2002		DRAWN BY: B. D. YOHN	
mm		DATE: 9SEPT2002		CHECKED BY: W. H. BERNHART	
TO DIMENSIONS UNLESS OTHERWISE SPECIFIED:		DATE: 9SEPT2002		APPROVED BY: W. H. BERNHART	
0 PLC ±0.13		PRODUCT SPEC:		NAME: SUB-ASSY, HOUSING WITH SPRING	
1 PLC ±0.13		APPLICATION SPEC:		180 AMP SINGLE POLE POWER PRODUCT	
2 PLC ±0.13		MATERIAL:		SIZE: A2	
3 PLC ±0.13		FINISH:		CASE CODE: 00779	
4 PLC ±0.13		WEIGHT:		DRAWING NO: 1604062	
ANGLES:		CUSTOMER DRAWING:		RESTRICTED TO:	
SCALE: 2:1		SHEET: 1 OF 1		REV: 01	