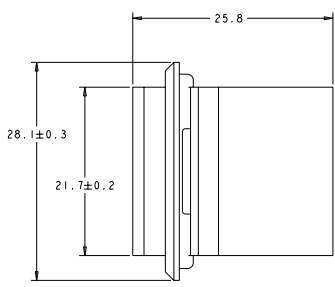
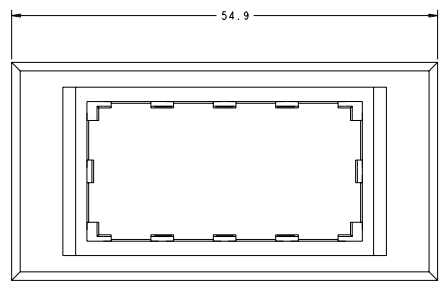
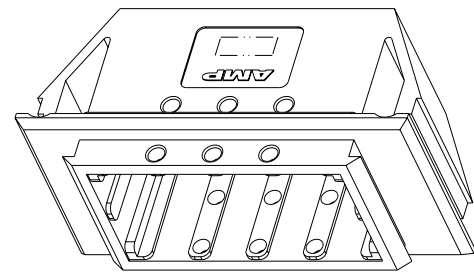
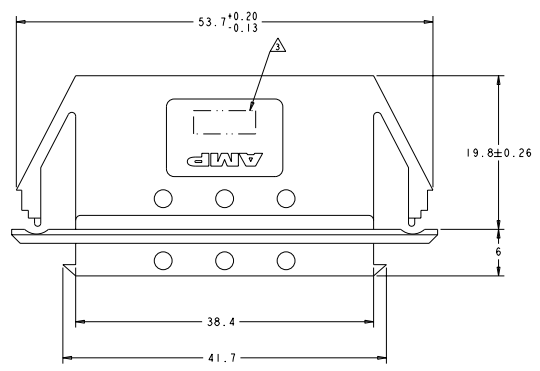


REV. NO.		REVISIONS		DATE	BY	CHK'D
0	FT	B	REVISED PER ECO-11-005167			



1. MATERIAL: POLYCARBONATE 94-V0
  2. COLOR: BLACK
- △ TE OR TE CONNECTIVITY LOGO LOCATED APPROX IN THIS AREA.

1604079-1  
 PART NUMBER

THIS DRAWING IS A CONTROLLED DOCUMENT.		DATE: 29 JAN 2002	REV: 02
DESIGNED BY: [Signature]	DESIGNED BY: [Signature]	DATE: 29 JAN 2002	REV: 02
CHECKED BY: [Signature]	CHECKED BY: [Signature]	DATE: 29 JAN 2002	REV: 02
APPROVED BY: [Signature]	APPROVED BY: [Signature]	DATE: 29 JAN 2002	REV: 02
MATERIAL: [Blank]		SIZE: [Blank]	SCALE: [Blank]
PART: [Blank]		REV: [Blank]	DATE: [Blank]
CUSTOMER DRAWING		SIZE: A	SCALE: 1:1

**STE** TE Connectivity  
 HOUSING, 2X4 POWER PRODUCT RECEPTACLE