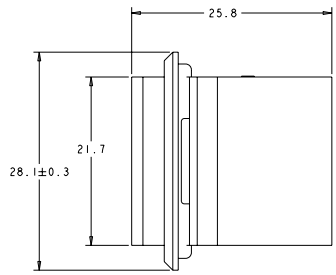
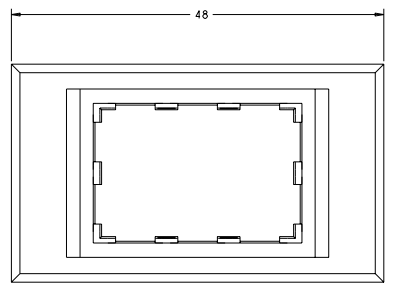
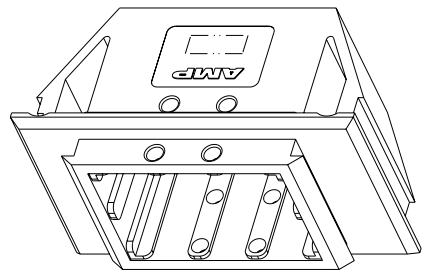
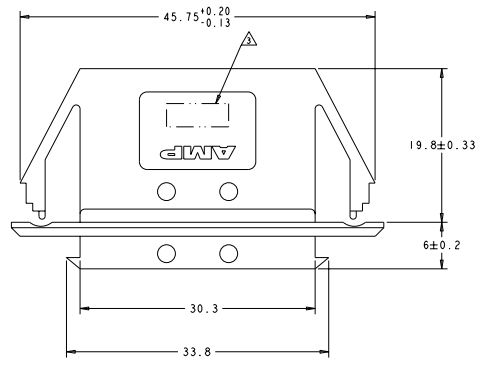


DATE SHOWN TO IMPROVISE REVISIONS FOR PUBLICATION ALL RIGHTS RESERVED

REV	DATE	DESCRIPTION	BY	CHK	APP
B		REVISED PER ECO-11-005167	BLANCHI	DMR	DT



1. MATERIAL: POLYCARBONATE 94-V0
  2. COLOR: BLACK
- ▲ TE OR TE CONNECTIVITY LOGO LOCATED APPROX IN THIS AREA.

1604078-1  
PART NUMBER

THIS DRAWING IS A CONTROLLED DOCUMENT.		DATE: 19 JAN 2002	REV: 02
DESIGNED BY: [signature]	DESIGNED BY: [signature]	DATE: 19 JAN 2002	REV: 02
CHECKED BY: [signature]	CHECKED BY: [signature]	DATE: 19 JAN 2002	REV: 02
APPROVED BY: [signature]	APPROVED BY: [signature]	DATE: 19 JAN 2002	REV: 02
MATERIAL: [blank]		STATE: CA	CAGE CODE: [blank]
PART NUMBER: 1604078		REV: A	REV: 02
CUSTOMER DRAWING		SCALE: 2:1	SHEET: 1 OF 1

4803 12/01/11  
Pre-ENGINEER DRAWING