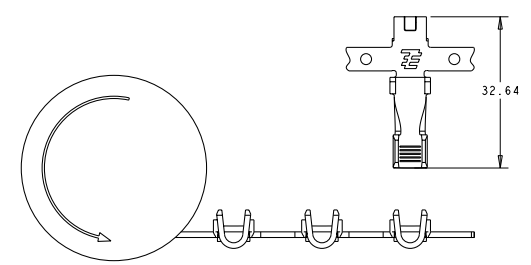
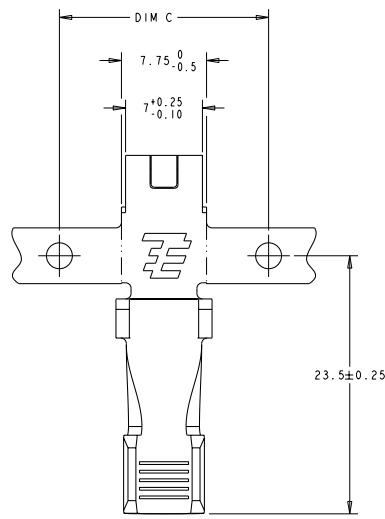
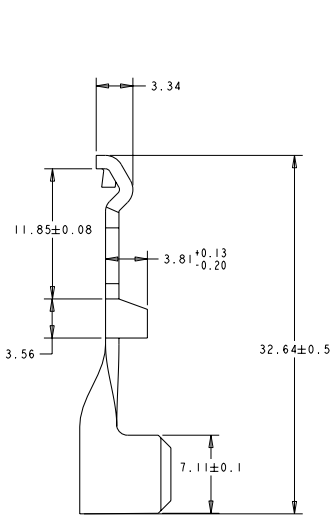


THIS DRAWING IS UNPUBLISHED. RELEASED FOR PUBLICATION
 BY TYCO ELECTRONICS CORPORATION. ALL RIGHTS RESERVED.

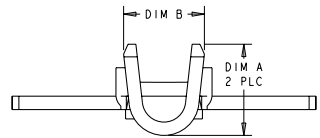
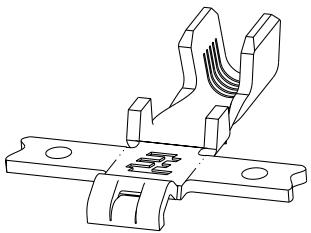
REV	DATE	BY	CHKD	APPROV
A		JIMM10	JR	SM
REVISIONS				
REV	DATE	DESCRIPTION	BY	CHKD
A		REVISED PER ECR 10-006756	JIMM10	JR



REELING AS SHOWN

THIS PRODUCT HAS PASSED VERIFICATION AND AGENCY APPROVALS TESTING AND IS COMPONENT RECOGNIZED PER UL 1977 AND CSA 22.2. TYCO ELECTRONICS PRODUCT QUALIFICATION TESTING IS NOT YET COMPLETE.

- 1. MATERIAL; COPPER
- 2. PLATING; SILVER



CONTACT 10-12 AWG	19±0.08	6.86	7.18 REF	1604433-2
CONTACT 6-8 AWG	25.4±0.08	8.98	9.5 REF	1604433-1
DESCRIPTION	DIM C	DIM B	DIM A	PART NUMBER

DIMENSIONS: mm		TO: HAYMAKER R. WALTER R. WALTER		SMAY2003 SMAY2003 SMAY2003		Tyco Electronics Harrisburg, PA 17105-3608	
DIMENSIONS: 0 PLC ±0.13 1 PLC ±0.13 2 PLC ±0.13 3 PLC ±0.13 4 PLC ±0.13 ANGLES ±0.13		APPLICATION SPEC 114-13071		SHEET CASE CODE DRAWING NO A2 00779 ©-1604433		RESTRICTED TO -	
MATERIAL -		FINISH -		CUSTOMER DRAWING		SCALE 4:1 SHEET 1 OF 1 REV A	

AMP 1471-B REV 3/19/2000
 Pre-ENGINEER DRAWING