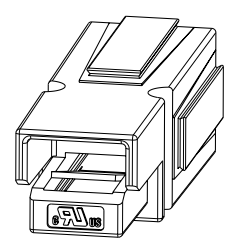
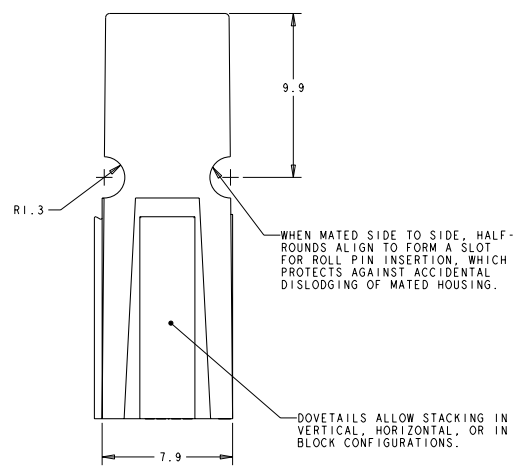
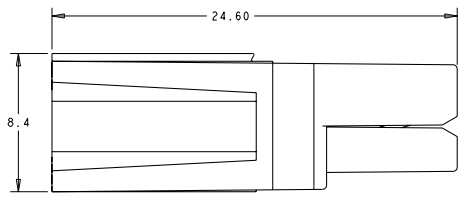
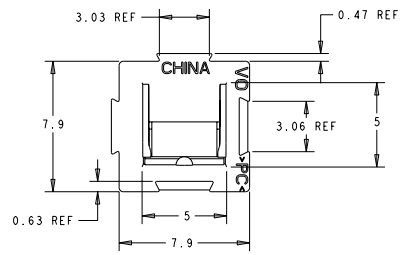


THIS DRAWING IS UNPUBLISHED. RELEASED FOR PUBLICATION. ALL RIGHTS RESERVED.

REVISIONS				
P	LY#	DESCRIPTION	DATE	BY
C		REVISED PER ECO-11-019283	1/NOV2011	KH



1. SPRING/HOUSING ASSEMBLIES ARE UL AND CSA RECOGNIZED PER FILE TBD.
2. THESE HOUSING ASSEMBLIES ACCOMMODATE TE CONNECTIVITY CONTACTS FOR WIRE RANGES FROM #20 AWG TO #10 AWG.
3. HOUSING: POLYCARBONATE, UL94V0. SPRING: STAINLESS STEEL.



OBSELETE	COLOR	PART NUMBER
	BROWN	1445957-9
	GRAY	1445957-8
	ORANGE	1445957-7
	YELLOW	1445957-6
	RED	1445957-5
	GREEN	1445957-4
	WHITE	1445957-3
	BLACK	1445957-2
	BLUE	1445957-1
	COLOR	PART NUMBER

THIS PRODUCT HAS PASSED VERIFICATION AND AGENCY APPROVALS TESTING AND IS COMPONENT RECOGNIZED PER UL 1977 AND CSA 22.2. TE CONNECTIVITY PRODUCT QUALIFICATION TESTING IS NOT YET COMPLETE.

THIS DRAWING IS A CONTROLLED DOCUMENT.		OWN	D. HAYMAKER	06NOV01																													
DIMENSIONS: mm		CHK	A. KETELSLEGER	25JAN02																													
TOLERANCES UNLESS OTHERWISE SPECIFIED:		APPD	A. KETELSLEGER	25JAN02																													
<table border="1"> <tr> <td>0</td> <td>PLC</td> <td>±0.13</td> </tr> <tr> <td>1</td> <td>PLC</td> <td>±0.13</td> </tr> <tr> <td>2</td> <td>PLC</td> <td>±0.13</td> </tr> <tr> <td>3</td> <td>PLC</td> <td>±0.13</td> </tr> <tr> <td>4</td> <td>PLC</td> <td>±0.13</td> </tr> <tr> <td>5</td> <td>PLC</td> <td>±0.13</td> </tr> <tr> <td>6</td> <td>PLC</td> <td>±0.13</td> </tr> <tr> <td>7</td> <td>PLC</td> <td>±0.13</td> </tr> <tr> <td>8</td> <td>PLC</td> <td>±0.13</td> </tr> <tr> <td>9</td> <td>PLC</td> <td>±0.13</td> </tr> </table>		0	PLC	±0.13	1	PLC	±0.13	2	PLC	±0.13	3	PLC	±0.13	4	PLC	±0.13	5	PLC	±0.13	6	PLC	±0.13	7	PLC	±0.13	8	PLC	±0.13	9	PLC	±0.13	NAME	A. KETELSLEGER
0	PLC	±0.13																															
1	PLC	±0.13																															
2	PLC	±0.13																															
3	PLC	±0.13																															
4	PLC	±0.13																															
5	PLC	±0.13																															
6	PLC	±0.13																															
7	PLC	±0.13																															
8	PLC	±0.13																															
9	PLC	±0.13																															
MATERIAL: FINISH		APPLICATION SPEC																															
		WEIGHT																															
		CUSTOMER DRAWING																															
		SHEET	A200779																														
		CASE CODE																															
		DRAWING NO																															
		SCALE	6:1																														
		SHEET	1																														
		OF	1																														
		REV	C																														
		RESTRICTED TO																															