

4

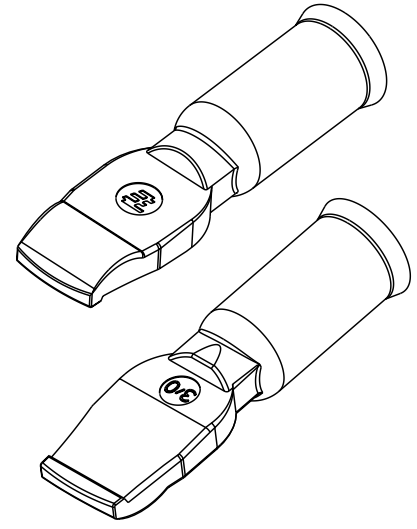
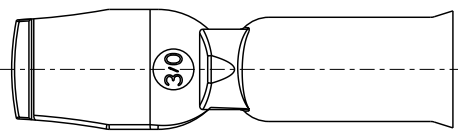
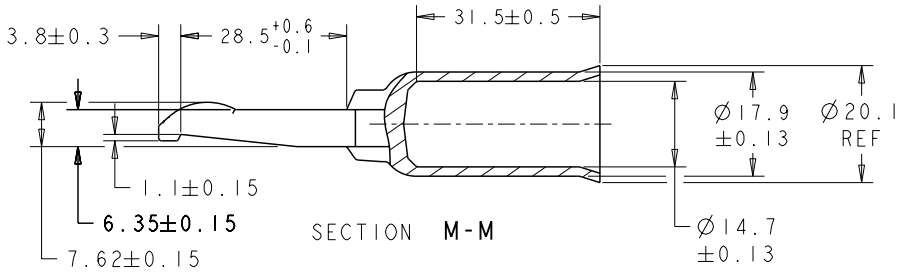
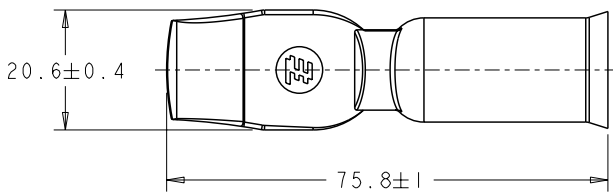
3

2

1

THIS DRAWING IS UNPUBLISHED. RELEASED FOR PUBLICATION 20
 © COPYRIGHT 20 BY TYCO ELECTRONICS CORPORATION. ALL RIGHTS RESERVED.

LOC	DIST	REVISIONS					
CM	0	P	LTR	DESCRIPTION	DATE	DWN	APVD
		B		REV PER ECR 10-006756	01APR10	JR	SM



- 1. MATERIAL: COPPER ALLOY
- 2. FINISH: PLATED SILVER

AS SHOWN	1604053-1
DESCRIPTION	PART NUMBER

METRIC

<small>THIS DRAWING IS A CONTROLLED DOCUMENT FOR TYCO ELECTRONICS CORPORATION AND IS SUBJECT TO CHANGE. THE CONTROLLING ENGINEERING ORGANIZATION SHOULD BE CONTACTED FOR THE LATEST REVISION.</small>		DWN 09APR2002 Brent D. John CHK 09APR2002 W.H. BERNHART APVD 09APR2002 W.H. BERNHART	tyco Electronics Tyco Electronics Harrisburg, PA 17105-3608
DIMENSIONS: mm 	TOLERANCES UNLESS OTHERWISE SPECIFIED: 0 PLC ± 1 PLC ±0.3 2 PLC ±0.13 3 PLC ±0.050 4 PLC ± ANGLES ±1°	NAME CONTACT, AMP POWER SERIES 350, 3/0 AWG	SIZE CAGE CODE DRAWING NO A3 00779 C-1604053
MATERIAL -	FINISH -	APPLICATION SPEC -	RESTRICTED TO -
CUSTOMER DRAWING		SCALE 3:2	SHEET 1 OF 1 REV B