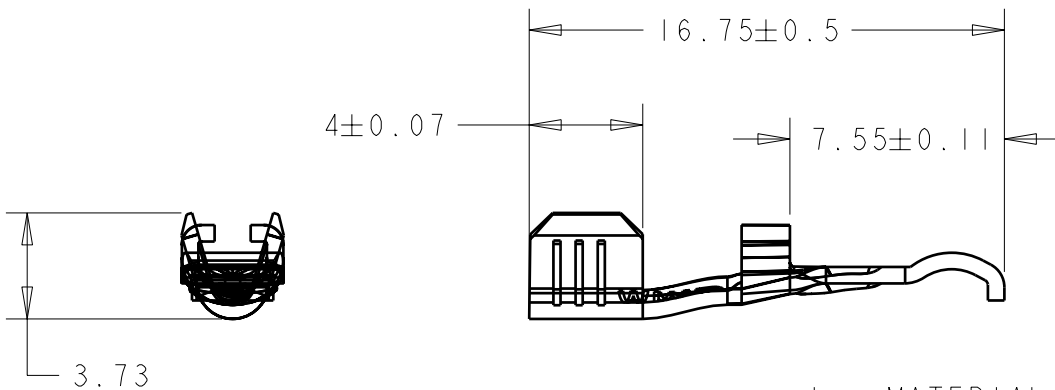
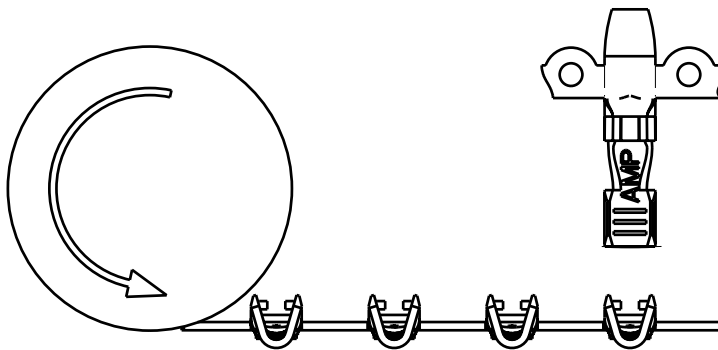


LOC	DIST	REVISIONS					
		P	LTR	DESCRIPTION	DATE	DWN	APVD
CM	0		2	ADDED -2, REVISED NOTE 1	06FEB03	BH	RW
			3	REVISED, ADDED DIMS AND TESTING NOTE			
			A	ECO-08-008100	02APR2008	KW	SR

THIS PRODUCT HAS PASSED VERIFICATION AND AGENCY APPROVALS TESTING AND IS COMPONENT RECOGNIZED PER UL 1977 AND CSA 22.2. TYCO ELECTRONICS PRODUCT QUALIFICATION TESTING IS NOT YET COMPLETE.



1. MATERIAL; COPPER
2. 3000 PCS/REEL



METRIC

TIN	1604113-2
SILVER	1604113-1
FINISH	PART NUMBER

DIMENSIONS: mm	DWN B. HAYMAKER	11APR2002	MATERIAL	FINISH
	CHK K. KETELSLEGER	11APR2002	Tyco Electronics Harrisburg, PA 17105-3608	
TOLERANCES UNLESS OTHERWISE SPECIFIED: 0 PLC ±0.13 1 PLC ±0.13 2 PLC ±0.13 3 PLC ±0.13 4 PLC ± ANGLES ±30'	APVD K. KETELSLEGER	11APR2002	NAME CONTACT, 15 AMP POWER PRODUCT (16-20 AWG)	
	PRODUCT SPEC	-	SIZE	CAGE CODE
APPLICATION SPEC	-	-	A 4	00779
WEIGHT	-	-	DRAWING NO	RESTRICTED TO
			C=1604113	-
CUSTOMER DRAWING			SCALE	SHEET
			4:1	1 OF 1
				REV A