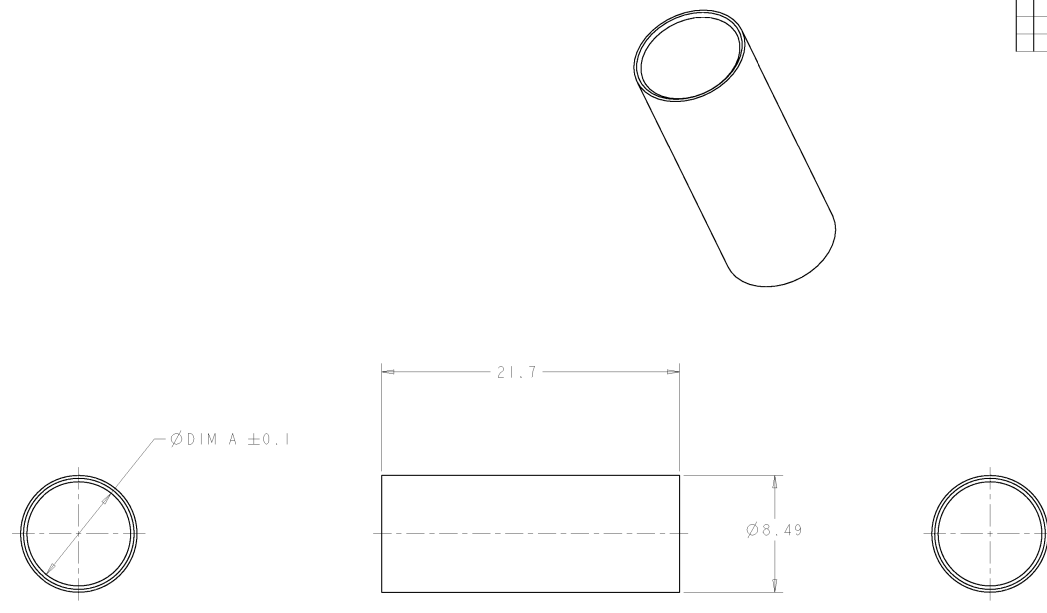


REV	DATE	BY	CHKD	DESCRIPTION
0	13-NOV-03	JE	JE	RELEASED PER 063B-0061-03



1. MATERIAL: COPPER
2. PLATING: SILVER

METRIC

WIRE RANGE	DIM A	PART NUMBER
#4	7.57	1604072-3
#6	5.72	1604072-2
#8	4.75	1604072-1

<small>THIS DRAWING IS UNPUBLISHED. RELEASED FOR PUBLICATION BY TYCO ELECTRONICS CORPORATION. ALL RIGHTS RESERVED. © COPYRIGHT 2002</small>		DWN: 03 JAN 2002 CBY: HAYMAZ A: KETELSTADT A: KETELSTADT	<b>tyco</b> <b>Electronics</b> Tyco Electronics Harrisburg, PA 17105-3600
DIMENSIONS: mm	DIMENSIONS: mm	PRODUCT SPEC: APPLICATION SPEC: WEIGHT: FINISH:	SIZE: A2 CASE CODE: 100779 DRAWING NO: 1604072 RESTRICTED TO:
MATERIAL: -		CUSTOMER DRAWING	SCALE: 5:1 SHEET: 1 OF 1 REV: 0