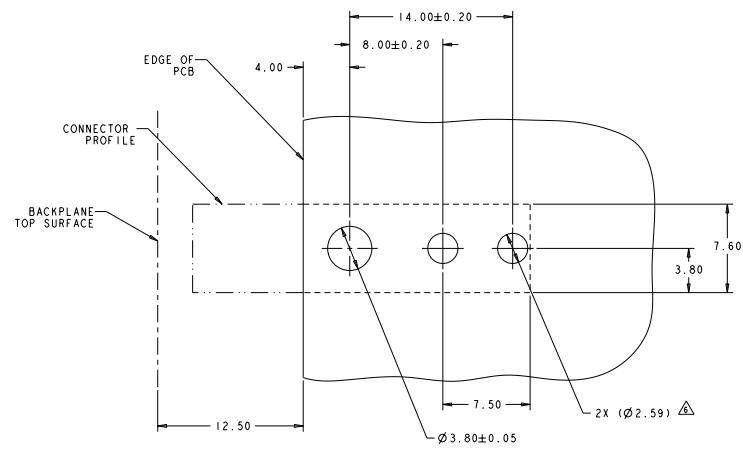
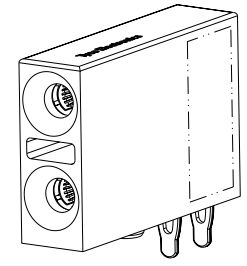




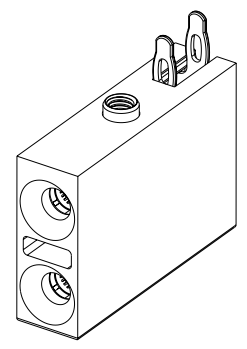
REV	DATE	DESCRIPTION	BY	CHK	APP
00		SEE SHEET 1			



RECOMMENDED PRINTED CIRCUIT BOARD LAYOUT  
 (AS VIEWED FROM COMPONENT SIDE)  
 MINIMUM PCB THICKNESS 1.57  $\triangle$



ISOMETRIC FRONT VIEW



ISOMETRIC BOTTOM VIEW

P/N: 2085181-1

TYPE ELECTRONICS CORPORATION 1000 W. MARKET STREET HARRISBURG, PA 17105-3600 TEL: 717-651-1000 FAX: 717-651-1001 WWW.TYPEELECTRONICS.COM		DATE: 10/03/2009 REV: 00 DRAWN BY: J. BAUGH CHECKED BY: J. BAUGH APPROVED BY: J. BAUGH		TYPE ELECTRONICS HARRISBURG, PA 17105-3600 2 POSITION, RIGHT ANGLE, 3.17mm DIAMETER, SOCKET ASSEMBLY	
DIMENSIONS: mm TOLERANCES: mm DECIMALS: 0.05 ANGLES: 0.1° UNLESS OTHERWISE SPECIFIED	MATERIAL: $\triangle$ FINISH: $\triangle$	STATE: CA COUNTY: SAN DIEGO CITY: SAN DIEGO ZIP: 92161 PHONE: 619-444-1000 FAX: 619-444-1001 WWW: WWW.TYPEELECTRONICS.COM	PART NUMBER: 2085181-1 REV: 00 DATE: 10/03/2009 DRAWN BY: J. BAUGH CHECKED BY: J. BAUGH APPROVED BY: J. BAUGH	QUANTITY: 1000 UNIT PRICE: \$0.15 TOTAL PRICE: \$150.00 NET WEIGHT: 0.1500 GROSS WEIGHT: 0.1500	SHEET: 1 OF 2 DRAWING: CUSTOMER DRAWING