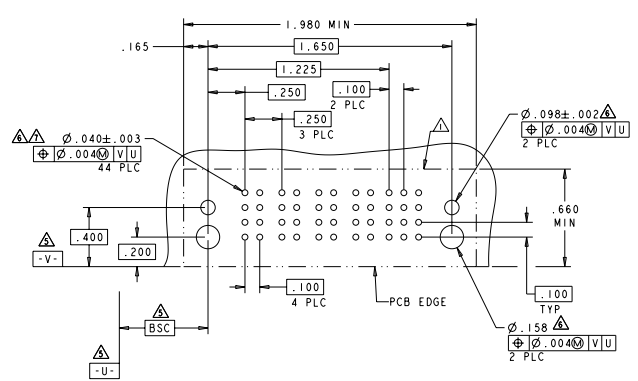
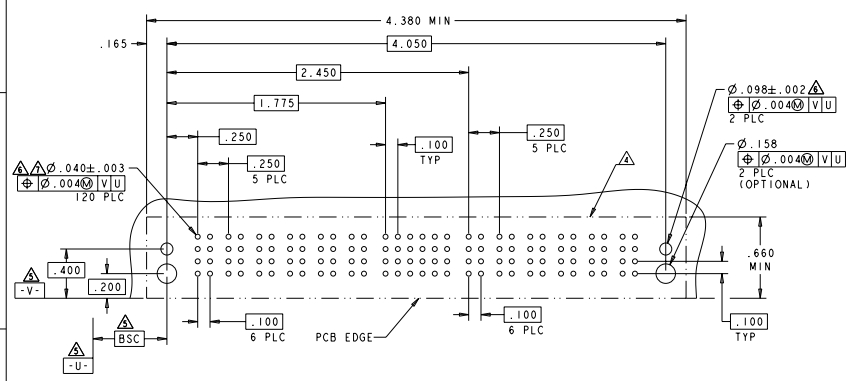


REV	DATE	DESCRIPTION	BY	CHK
00		SEE SHEET 1		

PART NUMBER	ROWS	POWER					SIGNAL						POWER								
		P1	P2	P3	P4	P5	P6	1	2	3	4	5	6	P7	P8	P9	P10	P11	P12		
6450128-8	D C B A	PM	PM	PM	PM	PM	E	E	E	E	E	J	PM	PM	PM	PM	PM	PM			
							G	G	G	G	G	G									
							S	H	H	H	H	H									
		(HD)																			
		6P + 24S + 6P																			

PART NUMBER	ROWS	POWER				SIGNAL		
		P1	P2	P3	P4	1	2	3
6450128-9	D C B A	PM	PM	PM	PM	K	K	K
						N	N	N
						S	S	S
		(HD)						
		4P + 12S + 0P						



DIMENSIONS: INCHES DECIMALS: 0.0005 FRACTIONS: 1/1000 TOLERANCES: ±0.0005		CUSTOMER: TONY ELECTRONICS ORDER NO: 100-1933 SPECIFICATION: 114-13038		TITLE: RIGHT ANGLE HEADER ASSEMBLY W/LEAD LATCHES MULTI-BEAM XL	
DATE: 11-1-88 DRAWN BY: A CHECKED BY:		PART NO: 6450128 REV: 00778		SHEET: 3 OF 4 DRAWN BY:	

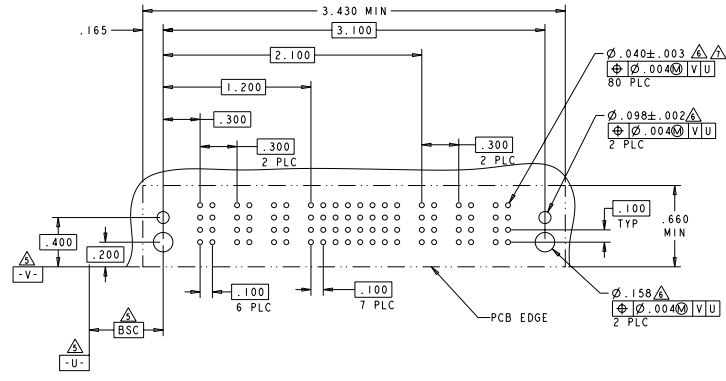
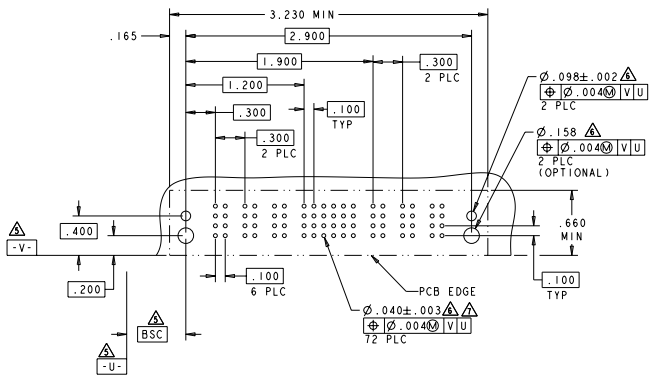
REV	DESCRIPTION	DATE	BY	CHK
00	SEE SHEET 1			

PART NUMBER	ROWS	POWER			SIGNAL						POWER				
		P1	P2	P3	1	2	3	4	5	6	P4	P5	P6		
1-6450128-0	D C B A	PM	PM	PM	J	J	J	J	J	J	J	J	PM	PM	PM
					K	K	K	K	K	K	K	K			
					N	N	N	N	N	N	N	N			
					S	S	S	S	S	S	S	S			

3ACP + 24S + 3ACP

PART NUMBER	ROWS	POWER			SIGNAL						POWER				
		P1	P2	P3	1	2	3	4	5	6	7	8	P4	P5	P6
1-6450128-1	D C B A	PM	PM	PM	K	K	K	K	K	K	K	K	PM	PM	PM
					N	N	N	N	N	N	N	N			
					S	S	S	S	S	S	S	S			

3ACP + 32S + 3ACP



INCHES	0.0005 INCHES	0.0005 INCHES	0.0005 INCHES	0.0005 INCHES	0.0005 INCHES	0.0005 INCHES	0.0005 INCHES	0.0005 INCHES	0.0005 INCHES
DATE	08/24/2018	08/24/2018	08/24/2018	08/24/2018	08/24/2018	08/24/2018	08/24/2018	08/24/2018	08/24/2018
REV	A	A	A	A	A	A	A	A	A
DESCRIPTION	RIGHT ANGLE HEADER ASSEMBLY	RIGHT ANGLE HEADER ASSEMBLY	RIGHT ANGLE HEADER ASSEMBLY	RIGHT ANGLE HEADER ASSEMBLY	RIGHT ANGLE HEADER ASSEMBLY	RIGHT ANGLE HEADER ASSEMBLY	RIGHT ANGLE HEADER ASSEMBLY	RIGHT ANGLE HEADER ASSEMBLY	RIGHT ANGLE HEADER ASSEMBLY
PART NUMBER	1-6450128-0	1-6450128-1	1-6450128-2	1-6450128-3	1-6450128-4	1-6450128-5	1-6450128-6	1-6450128-7	1-6450128-8
REV	A	A	A	A	A	A	A	A	A
DATE	08/24/2018	08/24/2018	08/24/2018	08/24/2018	08/24/2018	08/24/2018	08/24/2018	08/24/2018	08/24/2018
BY	TSC ELECTRONICS CORPORATION	TSC ELECTRONICS CORPORATION	TSC ELECTRONICS CORPORATION	TSC ELECTRONICS CORPORATION	TSC ELECTRONICS CORPORATION	TSC ELECTRONICS CORPORATION	TSC ELECTRONICS CORPORATION	TSC ELECTRONICS CORPORATION	TSC ELECTRONICS CORPORATION
CHK	TSC ELECTRONICS CORPORATION	TSC ELECTRONICS CORPORATION	TSC ELECTRONICS CORPORATION	TSC ELECTRONICS CORPORATION	TSC ELECTRONICS CORPORATION	TSC ELECTRONICS CORPORATION	TSC ELECTRONICS CORPORATION	TSC ELECTRONICS CORPORATION	TSC ELECTRONICS CORPORATION
APP	TSC ELECTRONICS CORPORATION	TSC ELECTRONICS CORPORATION	TSC ELECTRONICS CORPORATION	TSC ELECTRONICS CORPORATION	TSC ELECTRONICS CORPORATION	TSC ELECTRONICS CORPORATION	TSC ELECTRONICS CORPORATION	TSC ELECTRONICS CORPORATION	TSC ELECTRONICS CORPORATION