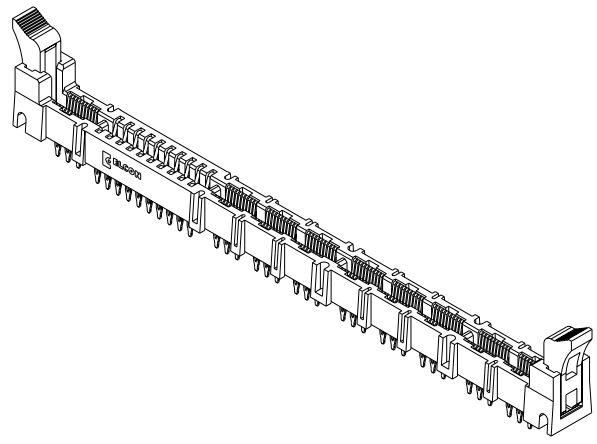


8 7 6 5 4 3 2 1

DATE SHOWN TO MANUFACTURE RECEIVED FOR FABRICATION

BY TYCO ELECTRONICS CORPORATION. ALL RIGHTS RESERVED.

REV ISIONS		DATE	BY	APP
E	REV PER ECO-08-032072	11/08/09	CR	PD



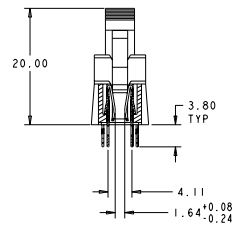
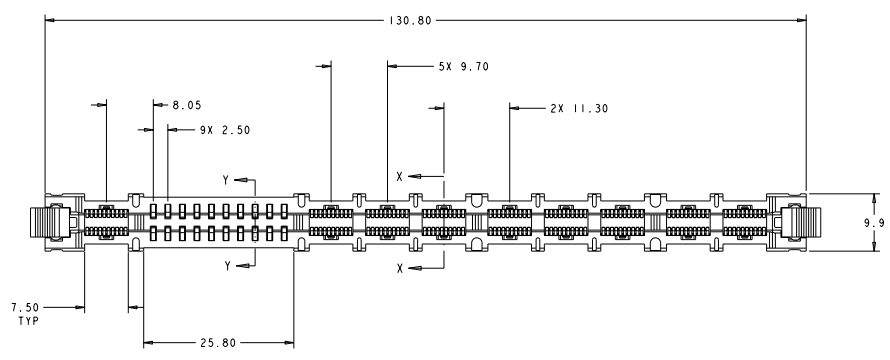
1. PART NUMBER CHANGES AND OR DESIGN CHANGES AFFECTING ITEM INTERCHANGEABILITY REQUIRE PRIOR TYCO ELECTRONICS APPROVAL AND AUTHORIZATION BY REVISION TO THIS DRAWING.
 2. MATERIAL:
INSULATORS: THERMOPLASTIC, GLASS REINFORCED
UL94V-0 FLAMMABILITY RATED.
CONTACTS: COPPER ALLOY
 3. FINISHES:
CONTACT PLATING: SELECTIVE GOLD: 0.76µm MIN THK
OVER NICKEL: 1.27µm MIN THK
PCB TERMINATION: TIN PLATED, MATTE FINISH: 1.78µm MIN THK
OVER NICKEL: 1.27µm MIN THK
 4. CONNECTOR ACCEPTS 2.36±0.13 THK PCB.
- ⚠ KEEP OUT AREA FOR COMPONENTS ONLY.
- ⚠ FEATURE REQUIRED FOR USE WITH LATCH.
- ⚠ CAUTION:
LATCHES ARE INTENDED FOR RETENTION OF PC BOARD TO CONNECTOR. DO NOT ATTEMPT TO FULLY EJECT PC BOARD FROM CONNECTOR WHILE DISENGAGING LATCHES, DAMAGE TO LATCHES AND OR CONNECTOR MAY OCCUR.
- ⚠ RECOMMENDED GOLD FINGER LENGTH FOR RELIABLE CONTACT.
9. A REFERENCE DIMENSION (X.XX) IS WITHOUT TOLERANCE AND USED FOR INFORMATION PURPOSE ONLY.
 10. ITEMS PROVIDED TO THIS SPECIFICATION TO BE PERMANENTLY IDENTIFIED PER THE FOLLOWING IDENTIFIER:

TYCO ELECTRONICS PN	DATE CODE (e.g. 0425)
XXXXXXXX-X	YEAR WEEK
	XXXX
 11. REFERENCE TYCO ELECTRONICS PN 1766443-1
- ⚠ RECOMMENDED PRINTED CIRCUIT HOLE:
FINISHED HOLE: Ø1.02±0.08
DRILLED HOLE: Ø1.15±0.013
COPPER PLATE: 0.025 MINIMUM (PER SURFACE)
TIN PLATE: 0.008 MINIMUM (PER SURFACE)

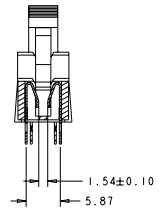
DATE SHOWN TO MANUFACTURE: 19 JAN 2009 RECEIVED FOR FABRICATION: 19 JAN 2009 BY: M. FISCHER TITLE: CUSTOMER DRAWING		DATE: 19 JAN 2009 BY: M. FISCHER TITLE: CUSTOMER DRAWING		Tyco Electronics Harrisburg, PA 17105-3600 MC-PS10 MINI CROWNEDGE SOCKET CONNECTOR, COMPLIANT TAIL STATE: CA CASE NUMBER: 00779 ©=1766443 SHEET: 1 OF 1	
--	--	--	--	---	--

APP 000 REV 000000
Pre/ENGINEER DRAWING

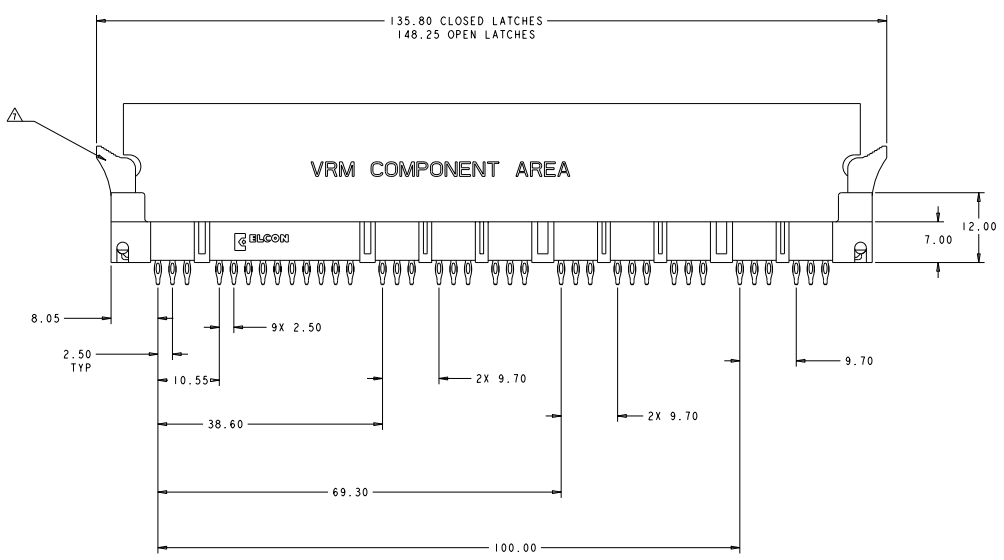
REVISED		REVISIONS			
NO.	DATE	DESCRIPTION	BY	CHK	APP
-	-	SEE SHEET 1	-	-	-



SECTION X-X
 ROTATED 90° CW

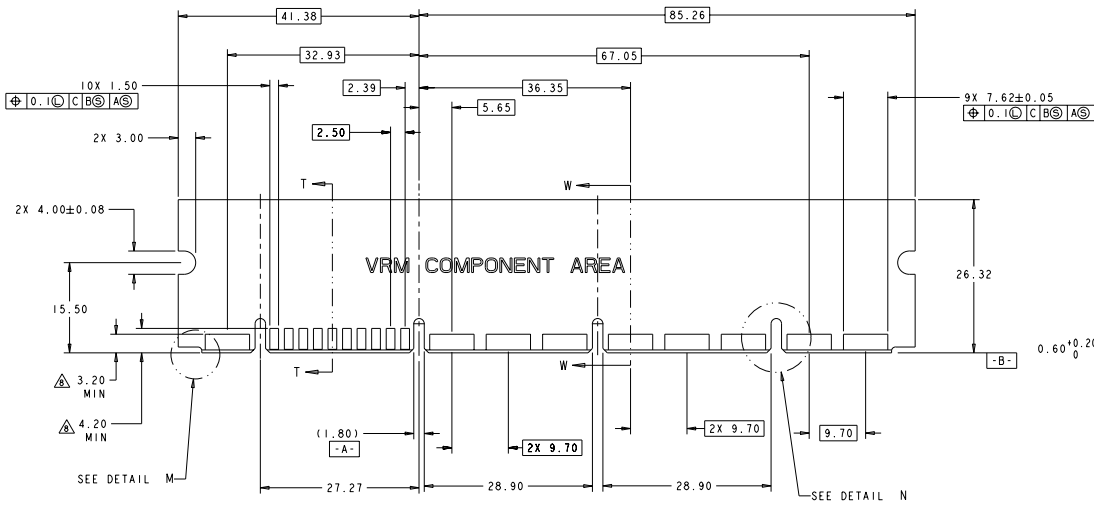


SECTION Y-Y
 ROTATED 90° CW

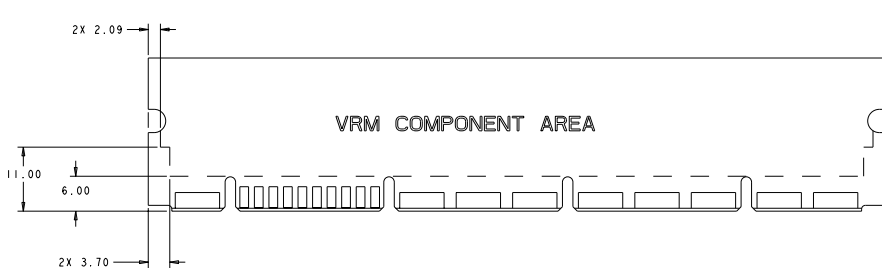


DATE: 19 JAN 2009 DRAWN BY: J. B. BUCHHEIT CHECKED BY: J. B. BUCHHEIT TITLE: MC-PS10 MINI CROWNEDGE SOCKET CONNECTOR, COMPLIANT TAIL CUSTOMER DRAWING		DATE: 19 JAN 2009 DRAWN BY: J. B. BUCHHEIT CHECKED BY: J. B. BUCHHEIT TITLE: MC-PS10 MINI CROWNEDGE SOCKET CONNECTOR, COMPLIANT TAIL CUSTOMER DRAWING		DATE: 19 JAN 2009 DRAWN BY: J. B. BUCHHEIT CHECKED BY: J. B. BUCHHEIT TITLE: MC-PS10 MINI CROWNEDGE SOCKET CONNECTOR, COMPLIANT TAIL CUSTOMER DRAWING	
---	--	---	--	---	--

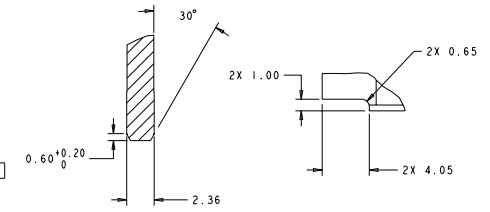
REV	DATE	DESCRIPTION	BY	CHK	APP
1		SEE SHEET 1			



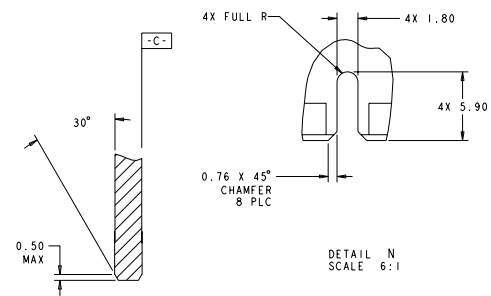
RECOMMENDED MATING BOARD



RECOMMENDED PCB KEEP OUT AREA



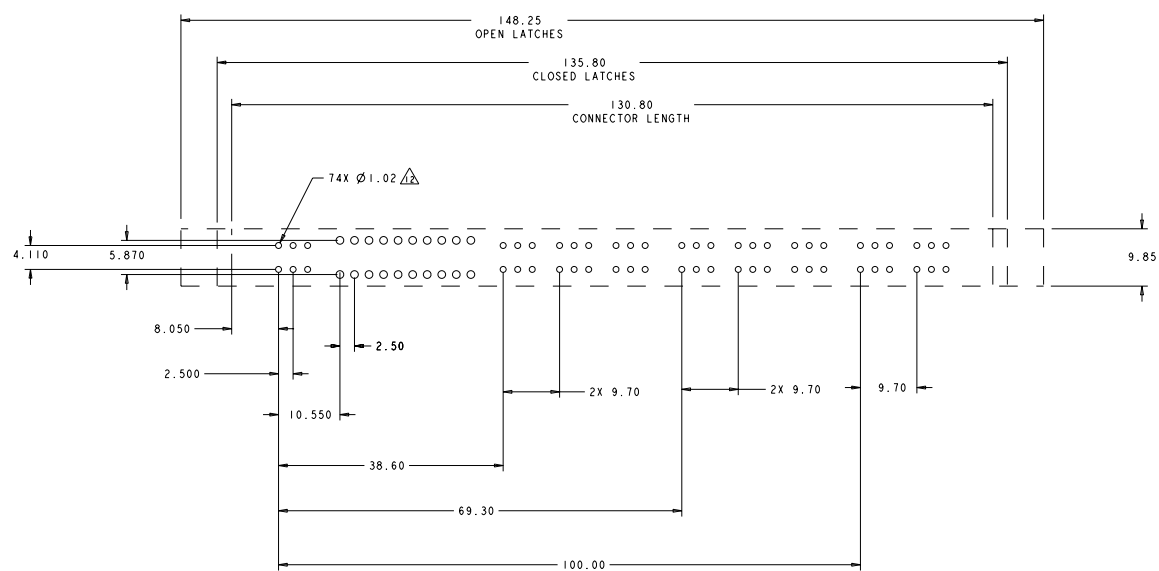
SECTION T-T
SCALE 6:1



SECTION W-W
SCALE 6:1

DATE: 19 JAN 2009 DRAWN BY: M. FLECKENBERG CHECKED BY: M. FLECKENBERG TITLE: MC-PS10 MINI CROWNEDGE SOCKET CONNECTOR, COMPLIANT TAIL PART NO.: 00779 CUSTOMER DRAWING: YES	DATE: 19 JAN 2009 DRAWN BY: M. FLECKENBERG CHECKED BY: M. FLECKENBERG TITLE: MC-PS10 MINI CROWNEDGE SOCKET CONNECTOR, COMPLIANT TAIL PART NO.: 00779 CUSTOMER DRAWING: YES	DATE: 19 JAN 2009 DRAWN BY: M. FLECKENBERG CHECKED BY: M. FLECKENBERG TITLE: MC-PS10 MINI CROWNEDGE SOCKET CONNECTOR, COMPLIANT TAIL PART NO.: 00779 CUSTOMER DRAWING: YES	DATE: 19 JAN 2009 DRAWN BY: M. FLECKENBERG CHECKED BY: M. FLECKENBERG TITLE: MC-PS10 MINI CROWNEDGE SOCKET CONNECTOR, COMPLIANT TAIL PART NO.: 00779 CUSTOMER DRAWING: YES
---	---	---	---

REV	DATE	REVISIONS	BY	CHK	APP
1		SEE SHEET 1			



RECOMMENDED PCB LAYOUT

DATE: 19 JAN 2009 DRAWN BY: J. B. BISHOP CHECKED BY: J. B. BISHOP APPROVED BY: J. B. BISHOP		DATE: 19 JAN 2009 DRAWN BY: J. B. BISHOP CHECKED BY: J. B. BISHOP APPROVED BY: J. B. BISHOP		DATE: 19 JAN 2009 DRAWN BY: J. B. BISHOP CHECKED BY: J. B. BISHOP APPROVED BY: J. B. BISHOP	
TAYLOR ELECTRONICS CORPORATION 1000 W. BIRCH AVE. HARRISBURG, PA 17105-3600		TAYLOR ELECTRONICS CORPORATION 1000 W. BIRCH AVE. HARRISBURG, PA 17105-3600		TAYLOR ELECTRONICS CORPORATION 1000 W. BIRCH AVE. HARRISBURG, PA 17105-3600	
CUSTOMER DRAWING		CUSTOMER DRAWING		CUSTOMER DRAWING	