

4

3

2

1

THIS DRAWING IS UNPUBLISHED.

RELEASED FOR PUBLICATION

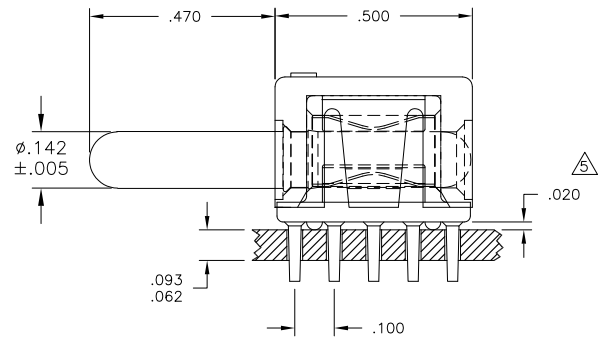
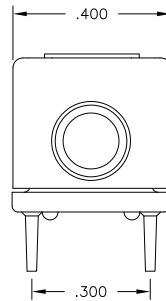
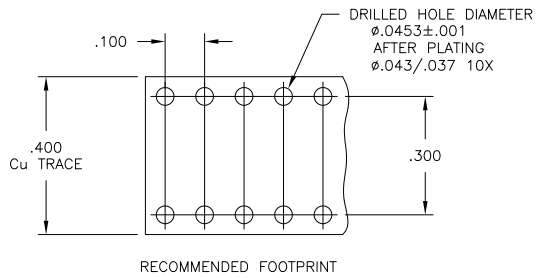
ALL RIGHTS RESERVED.

COPYRIGHT - By -

LOC  
GP 00

REVISIONS

P	LTR	DESCRIPTION	DATE	DWN	APVD
C		REV PER ECO-11-007678	11MAY2011	RG	DO



⚠ A FIVE-POUND (5 lbs) FORCES REQUIRED TO CORRECTLY SEAT THE CONNECTOR WITH PLATED THROUGH HOLES LESS THAN  $\phi.040$  INCH.

4. FINISH:
- MODULE - SILVER PLATED .000200 MIN THK. OVER NICKEL .000040 MIN THK.
  - CROWN - GOLD PLATED .000030 MIN THK. OVER NICKEL .000040 MIN THK.
  - PIN CONTACT - SILVER PLATED .000200 MIN THK. OVER NICKEL .000040 MIN THK.

3. MATERIAL:
- INSULATOR - POLYESTER, GLASS FILLED, UL 94 V-0, COLOR: BLACK
  - MODULE - METAL CASTING
  - CROWN - BECU
  - CONTACT - BRASS

2. ITEMS PROVIDED TO THIS SPECIFICATION SHALL BE IDENTIFIED ON CONTAINER WITH THE FOLLOWING INFORMATION: PART NUMBER AND DATE CODE OF MANUFACTURE.

1. PART NUMBER CHANGES AND/OR DESIGN CHANGES AFFECTING ITEM INTERCHANGEABILITY REQUIRE PRIOR TE APPROVAL AND AUTHORIZATION BY REVISION TO THIS DRAWING.

6643281-1  
PART NUMBER

THIS DRAWING IS A CONTROLLED DOCUMENT.		DWN ALIM/GRZYBOWSKI 11JAN2011	TE Connectivity	
DIMENSIONS: INCHES		CHK D. ORRIS 11JAN2011		
TOLERANCES UNLESS OTHERWISE SPECIFIED: 0 PLC ± - 1 PLC ± - 2 PLC ± .02 3 PLC ± .010 4 PLC ± - ANGLES ± .5		PRODUCT SPEC -		ICCON PIN, PARALLEL SOLDER, NON-LOCKING STYLE
MATERIAL -		APPLICATION SPEC -		RESTRICTED TO -
FINISH -		WEIGHT -	SIZE A3	CAGE CODE 00779
		DRAWING NO 6643281		SCALE 4:1
		CUSTOMER DRAWING		SHEET 1 of 1
				REV C